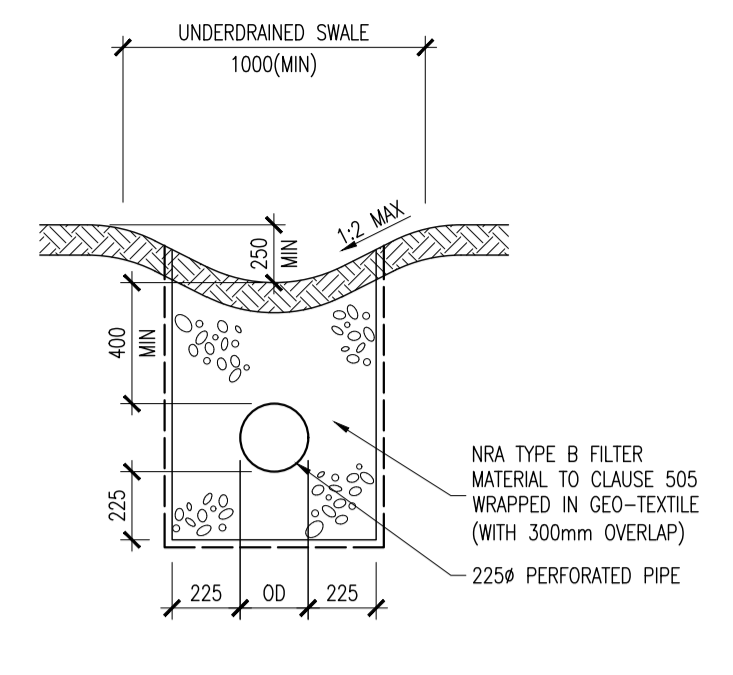
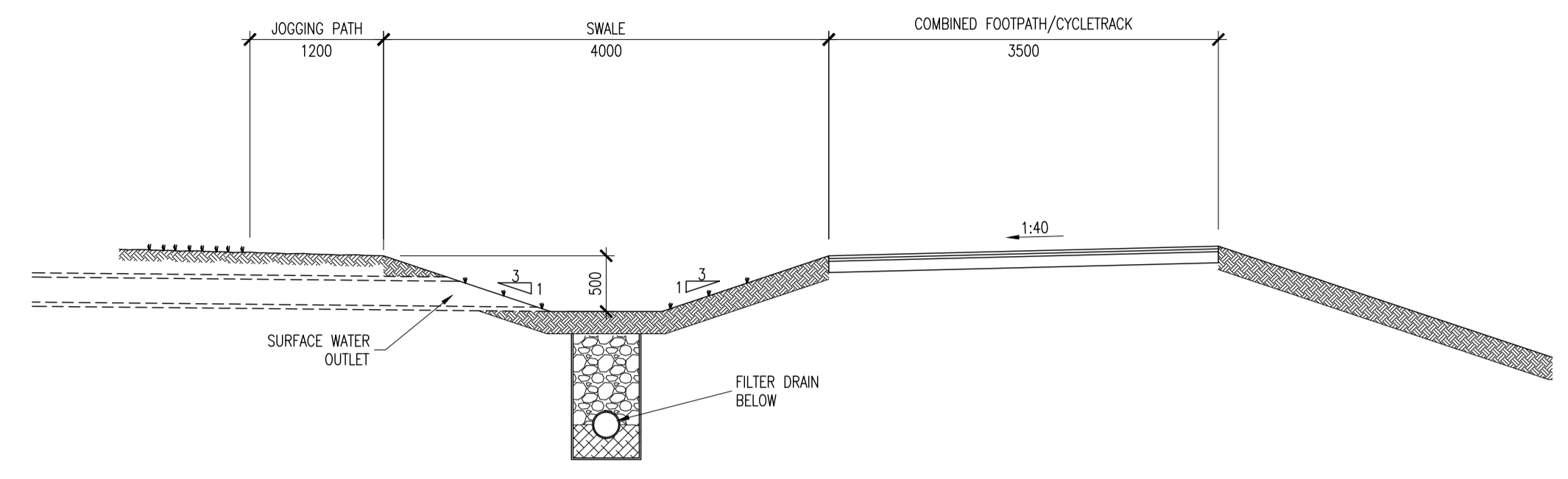


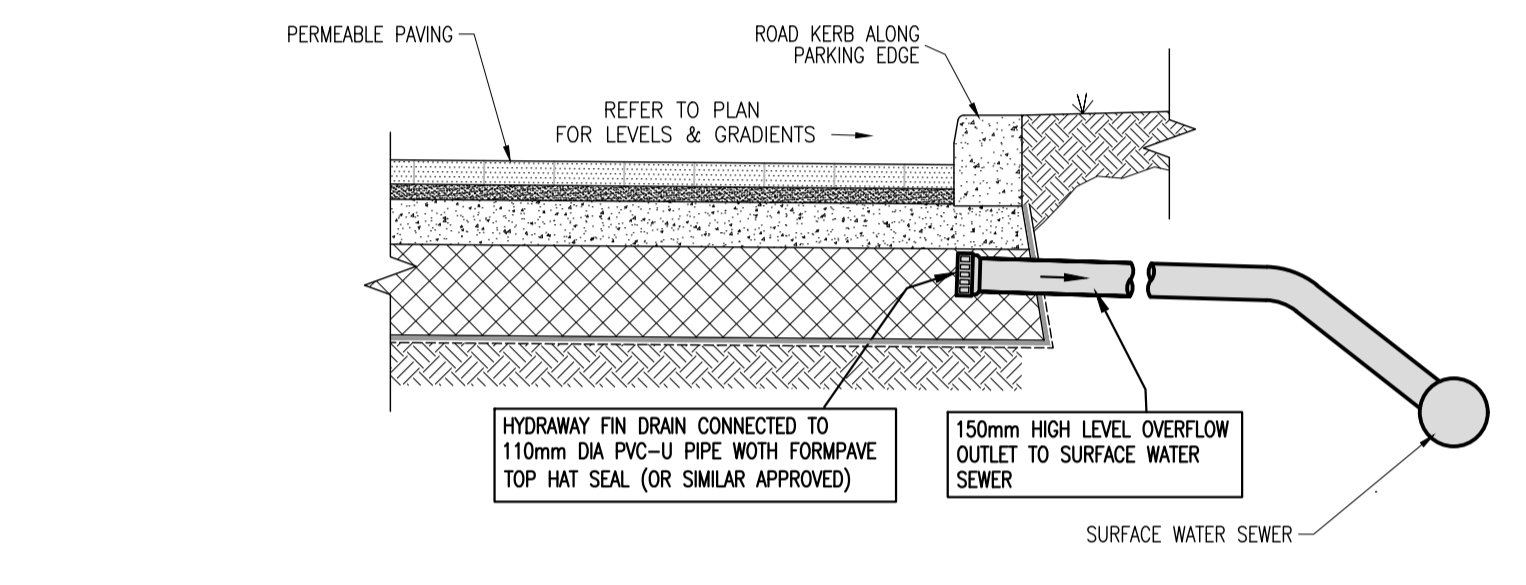
TYPICAL PETROL INTERCEPTOR DETAILS  
SCALE 1:25



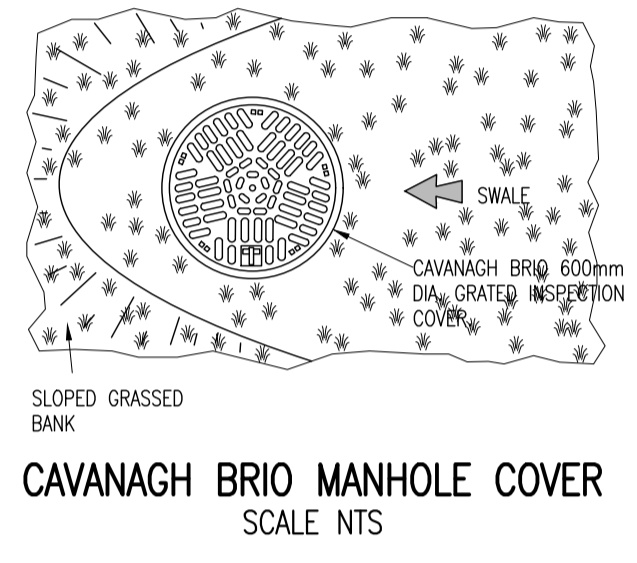
UNDERDRAINED SWALE DETAIL  
SCALE 1:25



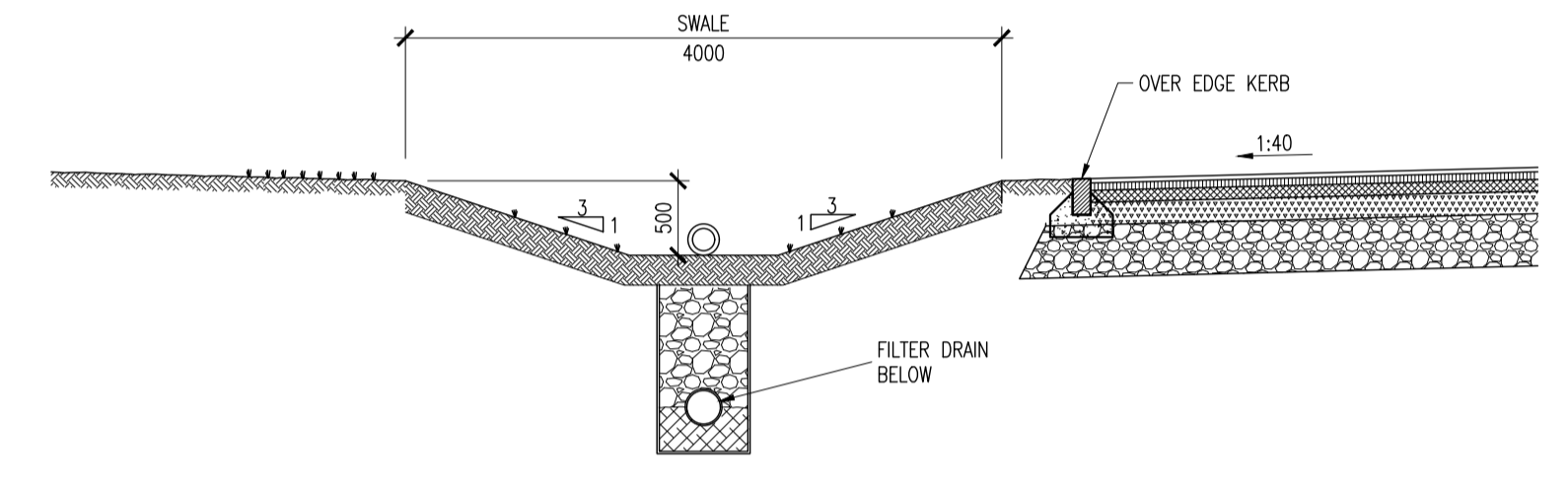
SWALE DETAIL WITH SW INLET  
SCALE 1:50



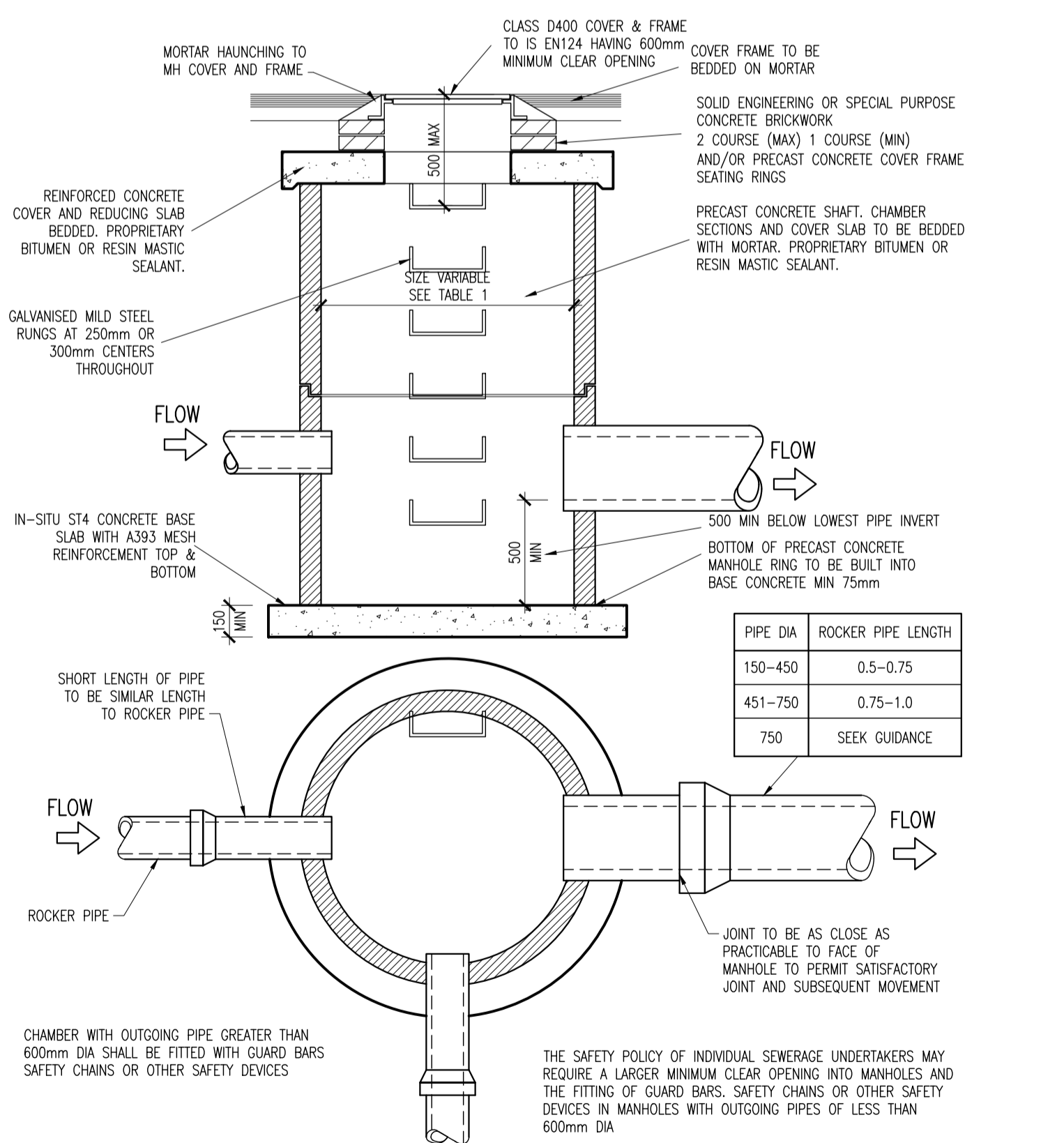
TYPICAL PUBLIC PARKING DRAINAGE SECTION  
SCALE: NTS



CAVANAGH BRIO MANHOLE COVER  
SCALE NTS



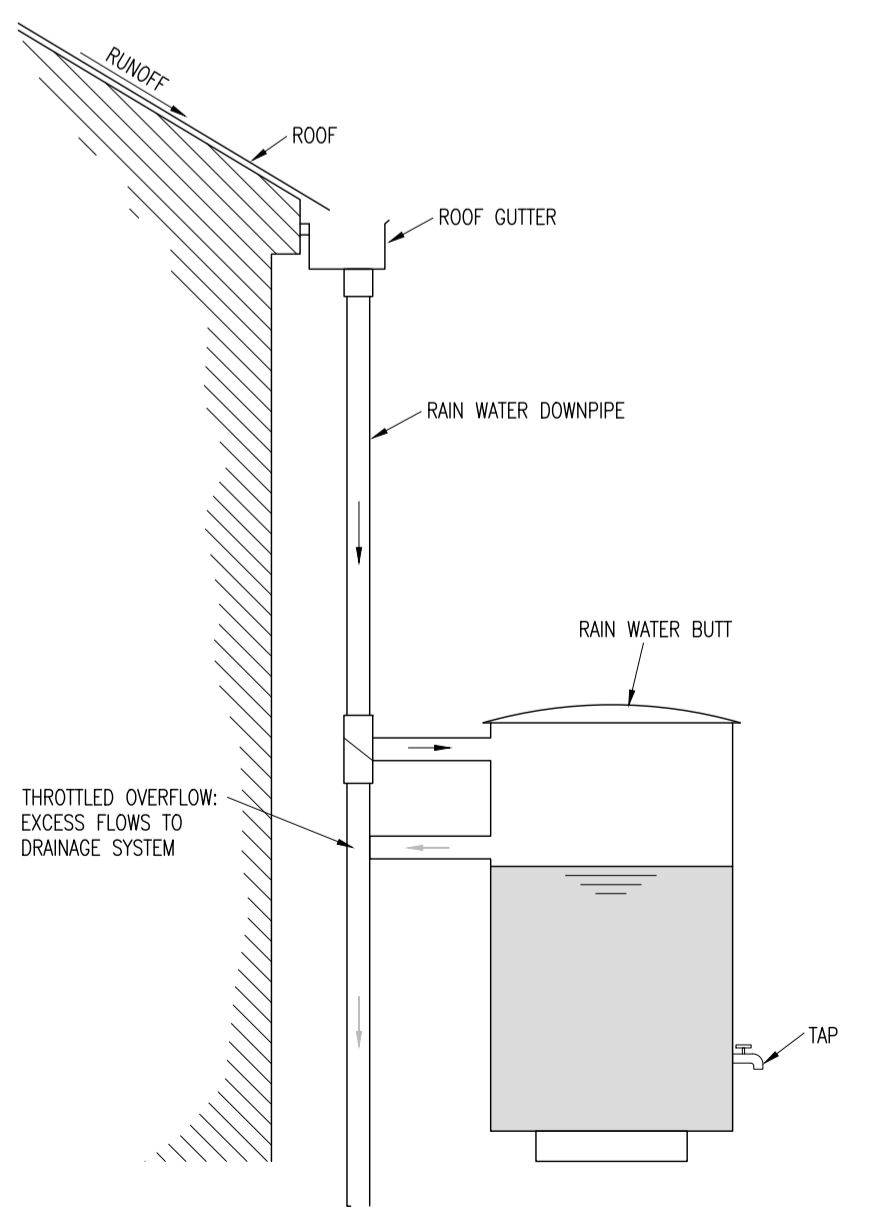
SWALE DETAIL WITH OVER EDGE KERB  
SCALE 1:50



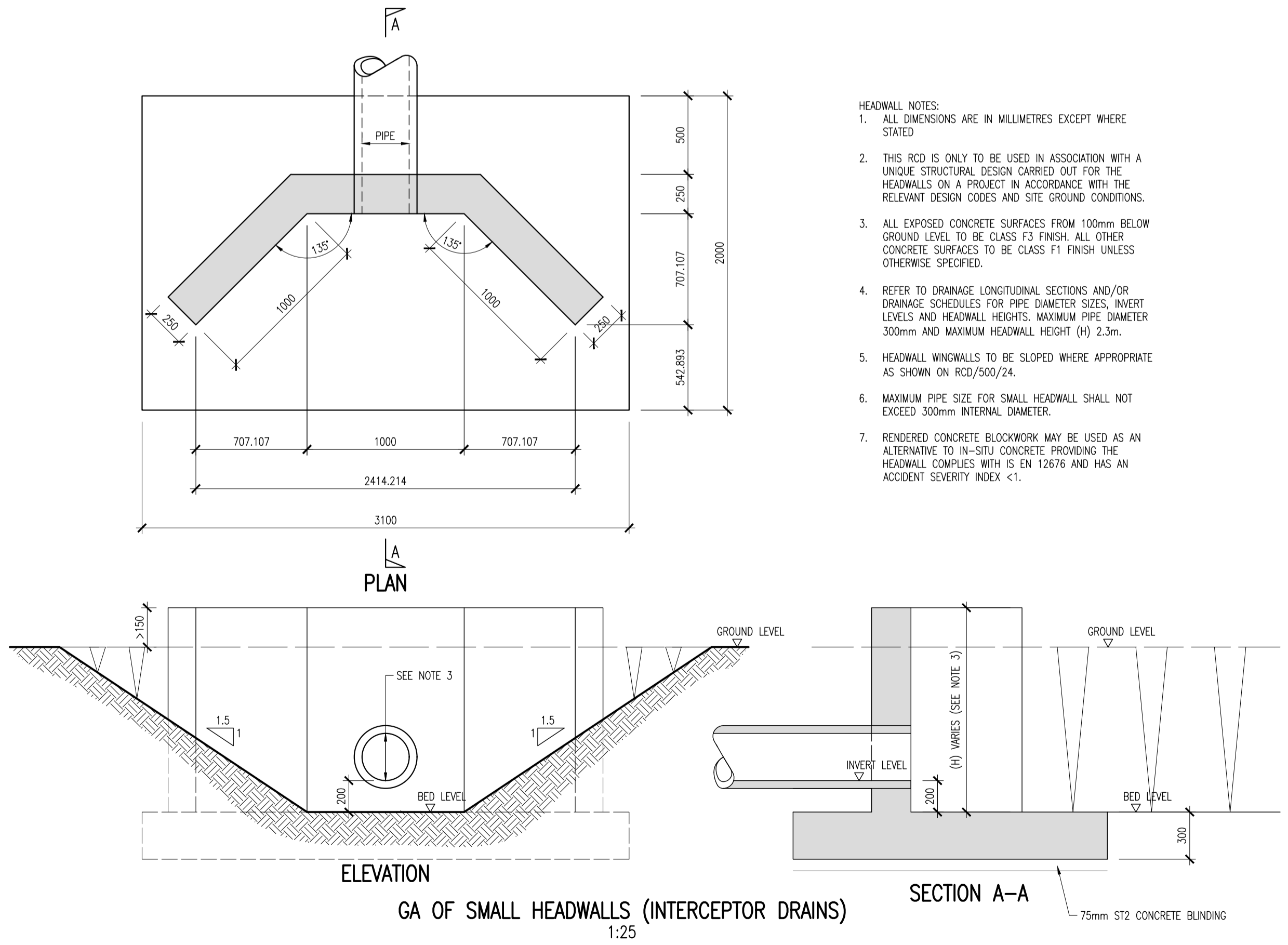
CATCHPIT MANHOLE DETAIL ON FILTER DRAIN RUNS  
SCALE 1:25

DIAMETER OF LARGEST PIPE IN MANHOLE (mm)	CHAMBER SECTION DIAMETER (mm)
LESS THAN 375	1200 (1050 WHERE DEPTH TO SOFFIT IS 1.35m - 1.5m)
375 - 450	1350
500 - 700	1500
750 - 900	1800

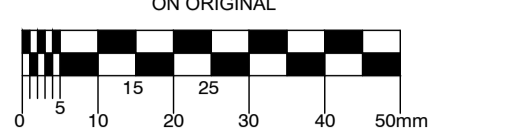
TABLE 1



TYPICAL WATER BUTT DETAIL  
SCALE: NTS



© COPYRIGHT OF THIS DRAWING IS RESERVED BY DBFL CONSULTING ENGINEERS. NO PART SHALL BE REPRODUCED OR TRANSMITTED WITHOUT THEIR WRITTEN PERMISSION.



- NOTES:
- WHERE ROCKS OR OTHER HARD TRENCH BOTTOM IS ENCOUNTERED THE FIGURE DENOTED BY \* IS TO BE DOUBLED.
  - TYPE 1 GRANULAR MATERIAL: BROKEN STONE OR GRAVEL TO PASS 10mm SIEVE AND BE RETAINED ON 5mm SIEVE.
  - TYPE 2 GRANULAR MATERIAL: BROKEN STONE OR GRAVEL TO PASS 10mm - 25mm SIEVE, ACCORDING TO PIPE SIZE, (SEE TABLE) AND BE RETAINED ON 5mm SIEVE.
  - TYPE 3 SELECTED FILL: UNIFORM READILY COMPACTED MATERIAL FREE FROM TREE ROOTS, VEGETABLE MATTER, BUILDING DEBRIS, AND FROZEN SOIL AND EXCLUDING CLAY LUMPS RETAINED ON A 75mm SIEVE AND STONES RETAINED ON A 37.5mm SIEVE.
  - RIGID PIPES SHALL MEAN CAST OR SPUN IRON, CONCRETE, OR CLAY.
  - FLEXIBLE PIPES SHALL MEAN PIPES OF STEEL, PVC, OTHER PLASTIC OR DUCTILE IRON.
  - ROAD GULLY GRATINGS AND FRAMES SHALL COMPLY WITH THE REQUIREMENTS OF IS/EN 124: 1994. EACH GULLY AND FRAME SHALL HAVE MARKED CLEARLY THEREON:
    - IS/EN 124:1994 - CLASS C250 OR CLASS D400 AS APPROPRIATE
    - THE NAME AND/OR IDENTIFICATION MARK OF THE MANUFACTURER AND THE PLACE OF MANUFACTURE.
    - THE YEAR OF MANUFACTURE.
    - MARK OF THE CERTIFICATION BODY
- ROAD GULLY PITS TO BE IN-SITU CONCRETE OR BLOCKWORK AS SPECIFIED

TYPE 2 GRANULAR MATERIAL:

PIPE SIZE	100% PASSING
UP TO 225mm	10mm SIEVE
225 TO 450mm	20mm SIEVE
ABOVE 450mm	25mm SIEVE

REV	DATE	DESCRIPTION	BY	CHKD
C	31-07-20	STAGE 3 NEW APPLICATION	DJG	DMW
B	10-03-20	STAGE 2 NEW APPLICATION	DJG	AGS
A	09-10-19	PLANNING SHD STAGE 3	DJG	DGS

DESIGNED	DMW	PREPARED	DJG
DATE	DEC 2018	CHECKED	DJR

**DBFL** Dublin Office: Ormrod House, Upper Ormrod Quay, Dublin 7, Ireland. PHONE +353 1 400 4000 FAX +353 1 400 4050

Waterford Office: Unit 2, The Chandlery, 1-2 O'Connell Street, Waterford, Ireland. PHONE +353 51 309 500 FAX +353 51 844 913

DBFL Consulting Engineers email: info@dbfl.ie site: www.dbfl.ie

PROJECT  
**STRATEGIC HOUSING DEVELOPMENT AT COLPE WEST, DROGHEDA, CO. MEATH**

DRG. TITLE  
**DRAINAGE DETAILS SHEET 3**

CLIENT  
**SHANNON HOMES DROGHEDA LTD.**

SCALE AS SHOWN @A1 FILE REF. 170092-3063

DRG. NO. 170092-3063