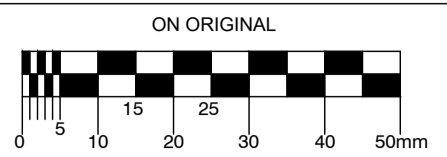


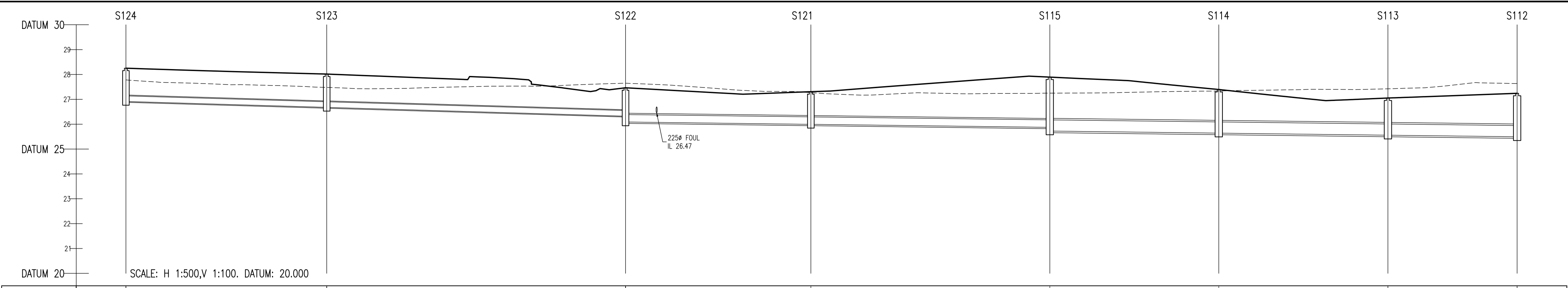
© COPYRIGHT OF THIS DRAWING IS RESERVED BY DBFL CONSULTING ENGINEERS. NO PART SHALL BE REPRODUCED OR TRANSMITTED WITHOUT THEIR WRITTEN PERMISSION.



- NOTES:
- ALL DRAWINGS TO BE CHECKED BY CONTRACTOR ON SITE AND ENGINEER INFORMED OF DISCREPANCIES BEFORE WORK COMMENCES
  - ALL LEVELS ARE IN METRES AND ARE RELATED TO ORDNANCE DATUM
  - CONTRACTOR SHALL SATISFY HIMSELF AS TO THE ACCURACY OF PAVEMENT LEVELS ON SITE PRIOR TO COMMENCEMENT OF WORKS ON SITE
  - ALL WORKS TO BE CONSTRUCTED IN ACCORDANCE WITH THE NRA SPECIFICATION FOR ROAD WORKS UNLESS NOTED OTHERWISE
  - THIS DRAWING IS FOR PLANNING PURPOSES ONLY
  - MANHOLE COVER LEVELS ARE TO CONFORM WITH FINISHED ROAD AND PATH LEVELS
  - WHERE COVER TO PIPE IS LESS THAN 1200mm (ROAD/PATH/VERGE) OR 900mm (OPEN SPACE) SURROUND PIPE IN MINIMUM 150mm CONCRETE

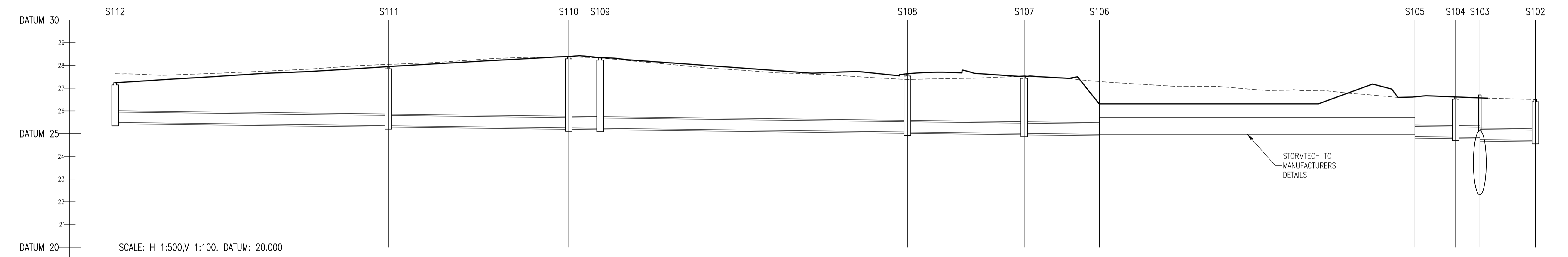
KEY

- - - - - EXISTING GROUND PROFILE
- PROPOSED GROUND PROFILE



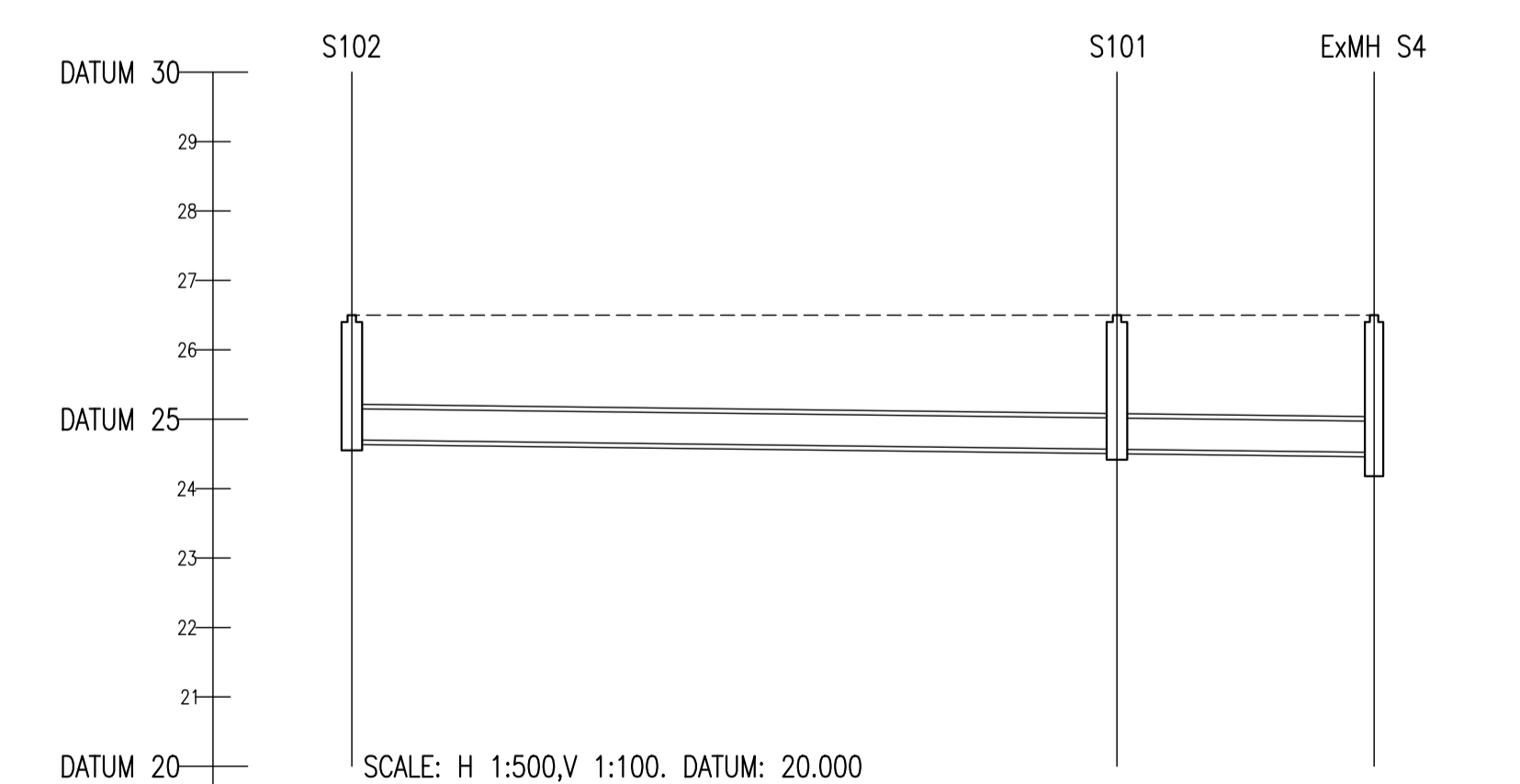
SCALE: H 1:500,V 1:100. DATUM: 20.000

COVER LEVEL		28.253		28.017		27.465		27.308		27.895		27.396		27.054		27.242				
INVERT LEVEL		26.915		26.677		26.323		25.995		25.724		25.641		25.558		25.495				
DEPTH (m)		1.338		1.340		1.377		1.313		2.171		1.755		1.495		1.747				
DISTANCE (m)			40.40			60.13			37.28			48.08			34.00		34.04			25.99
PIPE SLOPE			1:170			1:170			1:398			1:398			1:411		1:411			1:411
PIPE SIZE			225mm			225mm			300mm			300mm			450mm		450mm			450mm



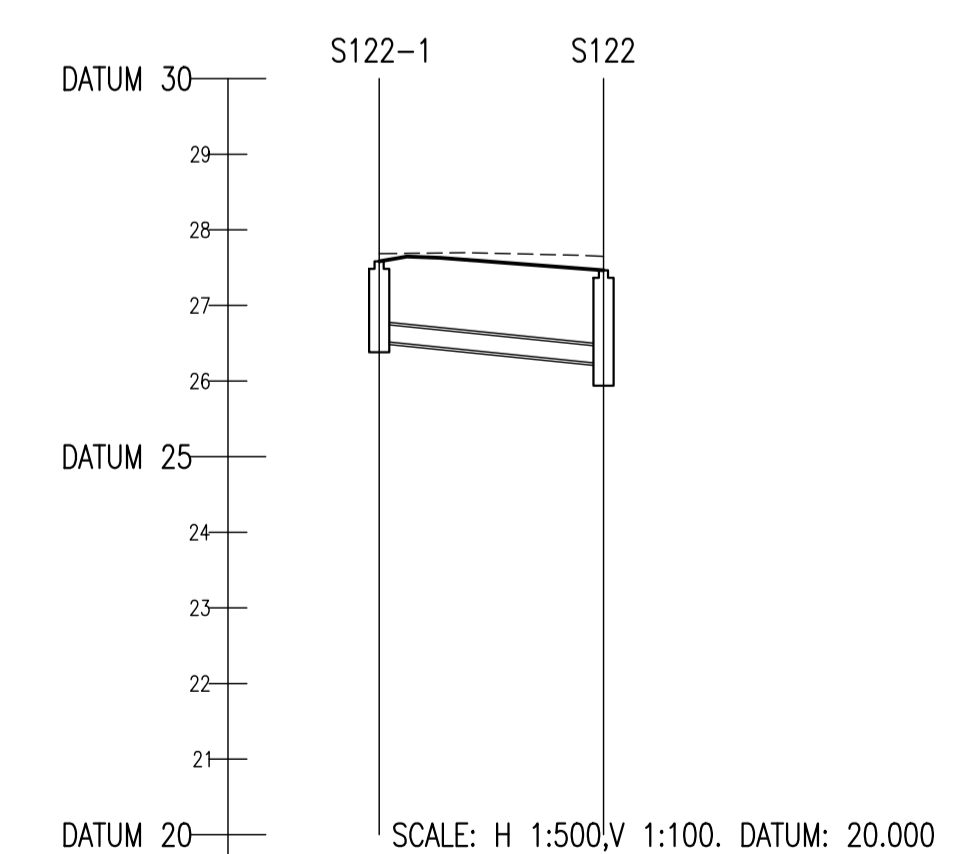
SCALE: H 1:500,V 1:100. DATUM: 20.000

COVER LEVEL		27.242				28.391		28.339				27.532		26.309			26.738		26.612		26.609		26.500	
INVERT LEVEL		25.495		25.349		25.252		25.236		25.071		25.009		24.958		24.866		24.844		24.844		24.831		24.701
DEPTH (m)		1.747		2.602		3.139		3.104		2.585		2.524		NA		NA		1.708		1.708		NA		1.799
DISTANCE (m)					60.12			39.65		6.91			67.61			25.70				16.51				
PIPE SLOPE					1:411			1:411		1:411		1:411		1:411		1:411		1:411		1:411		1:411		1:411
PIPE SIZE					450mm			450mm		450mm		450mm		450mm		450mm		450mm		450mm		450mm		450mm



SCALE: H 1:500,V 1:100. DATUM: 20.000

COVER LEVEL		26.500		26.500		26.500
INVERT LEVEL		24.701		24.567		24.522
DEPTH (m)		1.799		1.933		2.170
DISTANCE (m)			55.11		18.51	
PIPE SLOPE			1:411		1:411	
PIPE SIZE			450mm		450mm	



SCALE: H 1:500,V 1:100. DATUM: 20.000

COVER LEVEL		27.584		27.465
INVERT LEVEL		26.530		26.228
DEPTH (m)		1.053		1.377
DISTANCE (m)			14.84	
PIPE SLOPE			1:49	
PIPE SIZE			225mm	

B	31-07-20	STAGE 3 NEW APPLICATION	DJG	DMW
A	10-05-20	STAGE 2 NEW APPLICATION	DJG	AGS
REV	DATE	DESCRIPTION	BY	CHKD
<b>PLANNING SHD STAGE 3</b>				
DESIGNED	DMW	PREPARED	DJG	
DATE	OCT 2019	CHECKED	DJR	

DBFL Consulting Engineers  
 Dublin office: Ormond House, Upper Ormond Quay, Dublin 7, Ireland. PHONE +353 1 400 4000 FAX +353 1 400 4050  
 Waterford office: Unit 2, The Chandlery, 1-2 O'Connell Street, Waterford, Ireland. PHONE +353 51 338 500 FAX +353 51 844 913  
 Email: info@dbfl.ie site: www.dbfl.ie

PROJECT  
**STRATEGIC HOUSING DEVELOPMENT AT COLPE WEST, DROGHEDA, CO. MEATH**

DRG. TITLE  
**LONGITUDINAL SECTIONS THROUGH SURFACE WATER SHEET 1**

CLIENT  
**SHANNON HOMES DROGHEDA LTD.**

SCALE	AS SHOWN @A1	FILE REF.	170092-3081
DRG. NO.	170092-3081		B