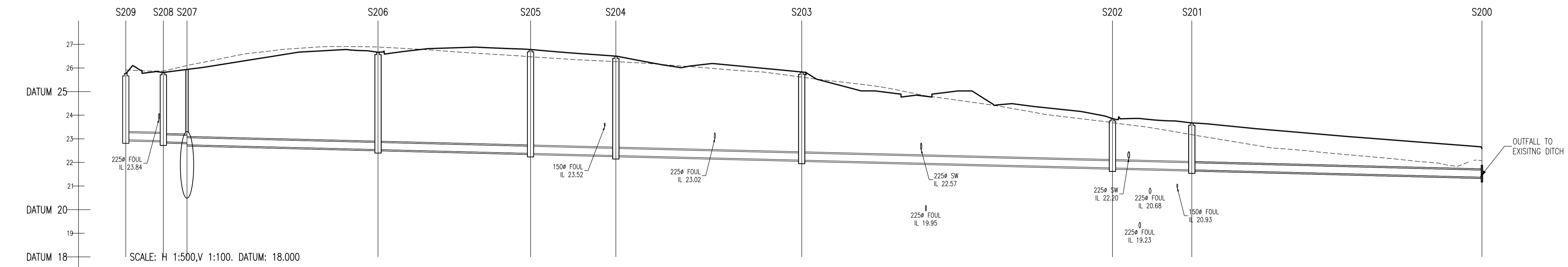
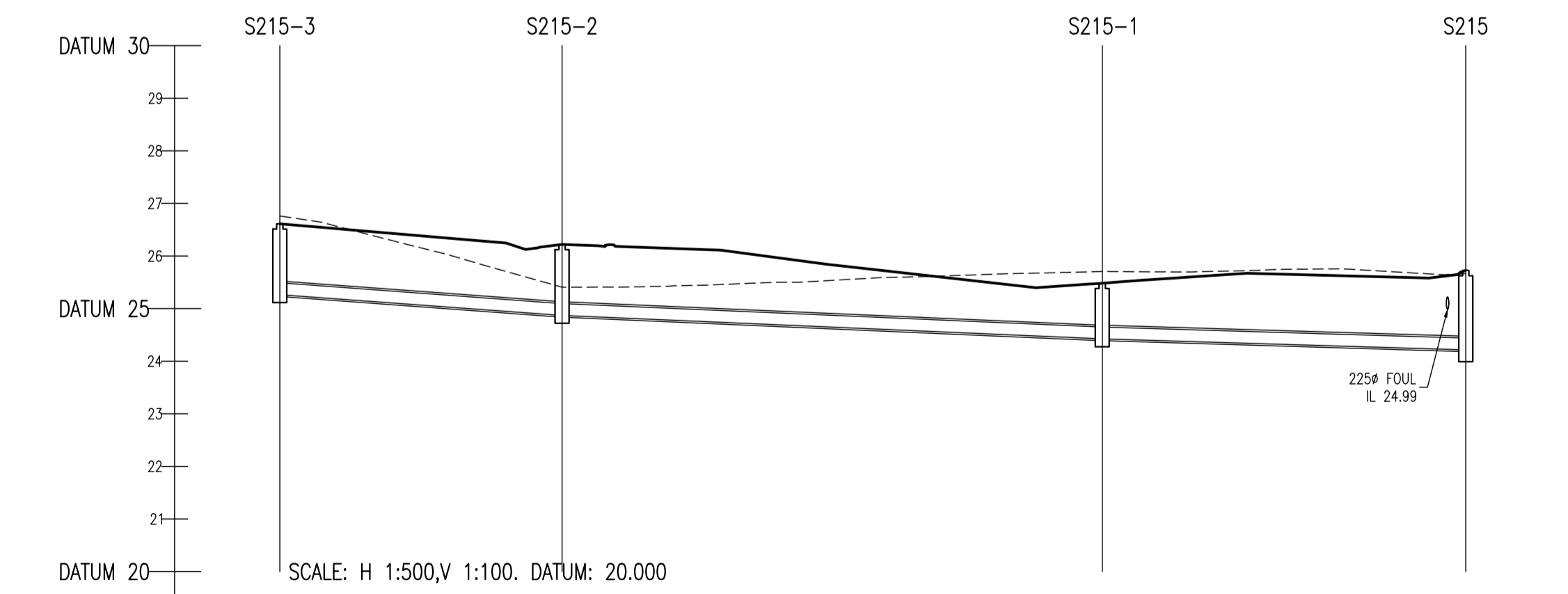


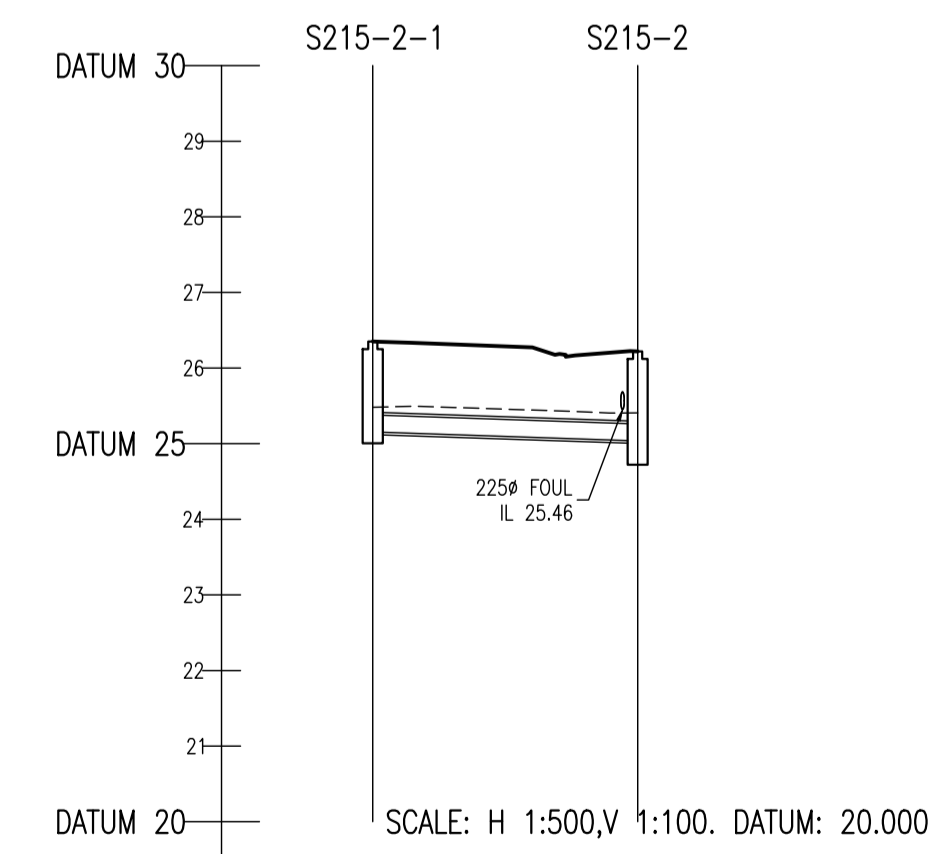
	S218	S217	S216	S215	S214	S213	S212	S209
COVER LEVEL	27.110	26.983	26.652	25.726	26.772	26.047	26.174	25.764
INVERT LEVEL	25.943	25.876	25.185	24.141	23.563	23.195	22.960	22.960
DEPTH (m)	1.167	1.107	1.467	1.585	3.219	2.852	3.214	2.804
DISTANCE (m)	11.40	28.19	43.70	65.23	38.32	5.44	1.16	
PIPE SLOPE	1:170	1:140	1:80	1:111	1:107	1:23	Horizontal	
PIPE SIZE	225mm	225mm	225mm	300mm	300mm	300mm	300mm	



	S209	S208	S207	S206	S205	S204	S203	S202	S201	S200
COVER LEVEL	25.784	25.811	25.838	26.686	26.782	26.502	25.831	23.857	23.672	21.879
INVERT LEVEL	22.980	22.871	22.846	22.544	22.383	22.293	22.096	21.768	21.686	21.374
DEPTH (m)	2.804	2.940	NA	4.142	4.399	4.209	3.735	2.090	1.987	???
DISTANCE (m)	7.94	5.00		40.38	32.25	18.03	65.69	16.77	61.34	
PIPE SLOPE	1:204	1:200		1:200	1:200	1:200		1:205	1:197	
PIPE SIZE	300mm	300mm		300mm	300mm	300mm	300mm	300mm	300mm	

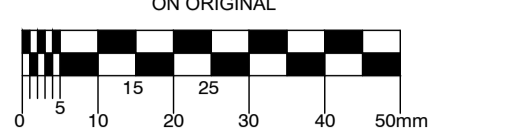


	S215-3	S215-2	S215-1	S215
COVER LEVEL	26.611	26.221	25.481	25.726
INVERT LEVEL	25.265	24.871	24.425	24.716
DEPTH (m)	1.346	1.350	1.057	1.585
DISTANCE (m)		26.82	51.33	34.55
PIPE SLOPE		1:68	1:115	1:165
PIPE SIZE		225mm	225mm	225mm



	S215-2-1	S215-2
COVER LEVEL	26.350	26.221
INVERT LEVEL	25.155	25.036
DEPTH (m)	1.195	1.350
DISTANCE (m)		17.52
PIPE SLOPE		1:148
PIPE SIZE		225mm

© COPYRIGHT OF THIS DRAWING IS RESERVED BY DBFL CONSULTING ENGINEERS. NO PART SHALL BE REPRODUCED OR TRANSMITTED WITHOUT THEIR WRITTEN PERMISSION.



- NOTES:
- ALL DRAWINGS TO BE CHECKED BY CONTRACTOR ON SITE AND ENGINEER INFORMED OF DISCREPANCIES BEFORE WORK COMMENCES
  - ALL LEVELS ARE IN METRES AND ARE RELATED TO ORDNANCE DATUM
  - CONTRACTOR SHALL SATISFY HIMSELF AS TO THE ACCURACY OF PAVEMENT LEVELS ON SITE PRIOR TO COMMENCEMENT OF WORKS ON SITE
  - ALL WORKS TO BE CONSTRUCTED IN ACCORDANCE WITH THE NRA SPECIFICATION FOR ROAD WORKS UNLESS NOTED OTHERWISE
  - THIS DRAWING IS FOR PLANNING PURPOSES ONLY
  - MANHOLE COVER LEVELS ARE TO CONFORM WITH FINISHED ROAD AND PATH LEVELS
  - WHERE COVER TO PIPE IS LESS THAN 1200mm (ROAD/PATH/VERGE) OR 900mm (OPEN SPACE) SURROUND PIPE IN MINIMUM 150mm CONCRETE

KEY  
 - - - - - EXISTING GROUND PROFILE  
 \_\_\_\_\_ PROPOSED GROUND PROFILE

B	31-07-20	STAGE 3 NEW APPLICATION	DJG	DMW
A	10-05-20	STAGE 2 NEW APPLICATION	DJG	AGS
REV	DATE	DESCRIPTION	BY	CHKD
<b>PLANNING SHD STAGE 3</b>				
DESIGNED	DMW	PREPARED	DJG	
DATE	OCT 2019	CHECKED	DJR	

**DBFL** Dublin Office: Ormrod House, Upper Ormrod Quay, Dublin 7, Ireland. PHONE +353 1 400 4000 FAX +353 1 400 4050

Waterford Office: Unit 2, The Chandlery, 1-2 O'Connell Street, Waterford, Ireland. PHONE +353 51 308 550 FAX +353 51 844 913

DBFL Consulting Engineers email: info@dbfl.ie site: www.dbfl.ie

PROJECT  
**STRATEGIC HOUSING DEVELOPMENT AT COLPE WEST, DROGHEDA, CO. MEATH**

DRG. TITLE  
**LONGITUDINAL SECTIONS THROUGH SURFACE WATER SHEET 3**

CLIENT  
**SHANNON HOMES DROGHEDA LTD.**

SCALE AS SHOWN @A1 FILE REF. 170092-3081  
 DRG. NO. **170092-3083** **B**