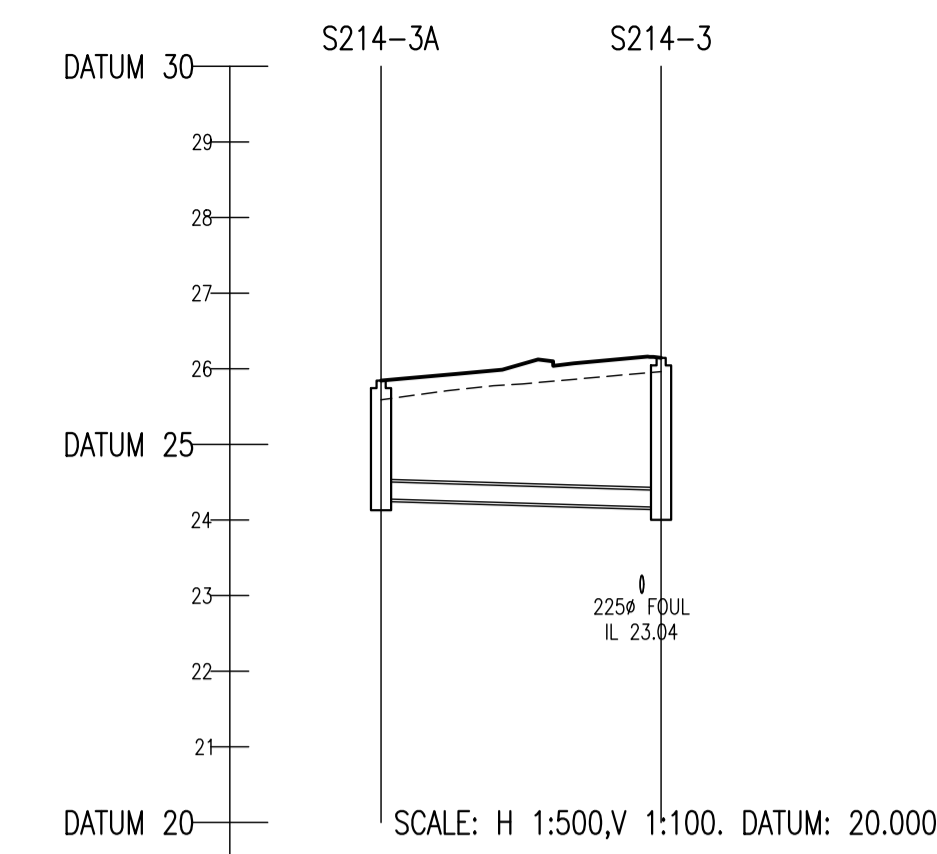
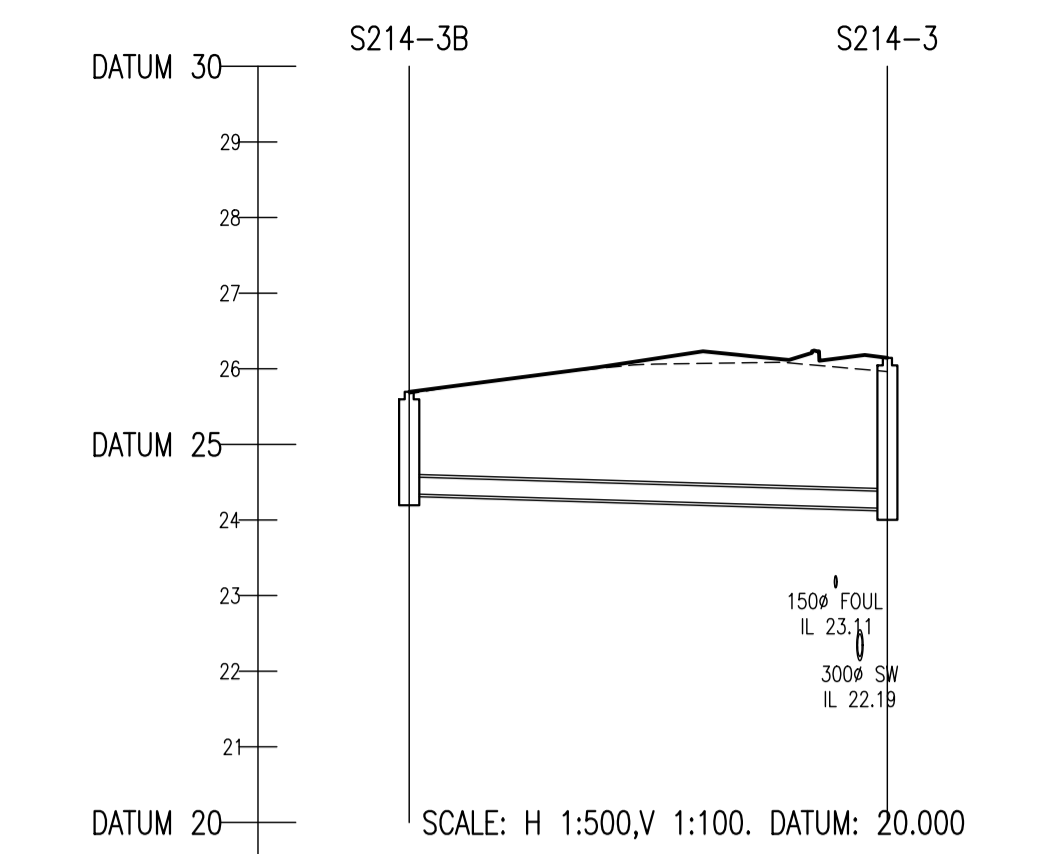


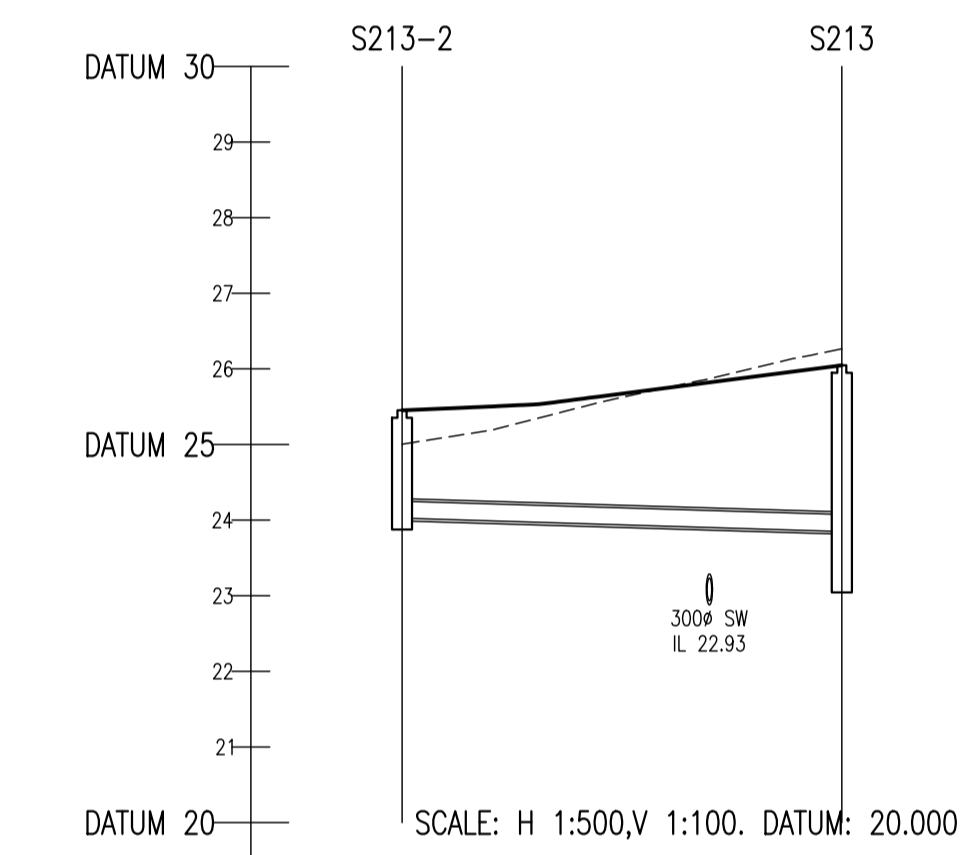
COVER LEVEL		25.971					
INVERT LEVEL	24.535		24.246	24.152	26.145		
DEPTH (m)	1.366		1.993	2.432			2.672
DISTANCE (m)		47.96	19.39	19.47		34.30	
PIPE SLOPE		1:166	1:164	1:165		1:120	
PIPE SIZE		225mm	225mm	225mm		225mm	



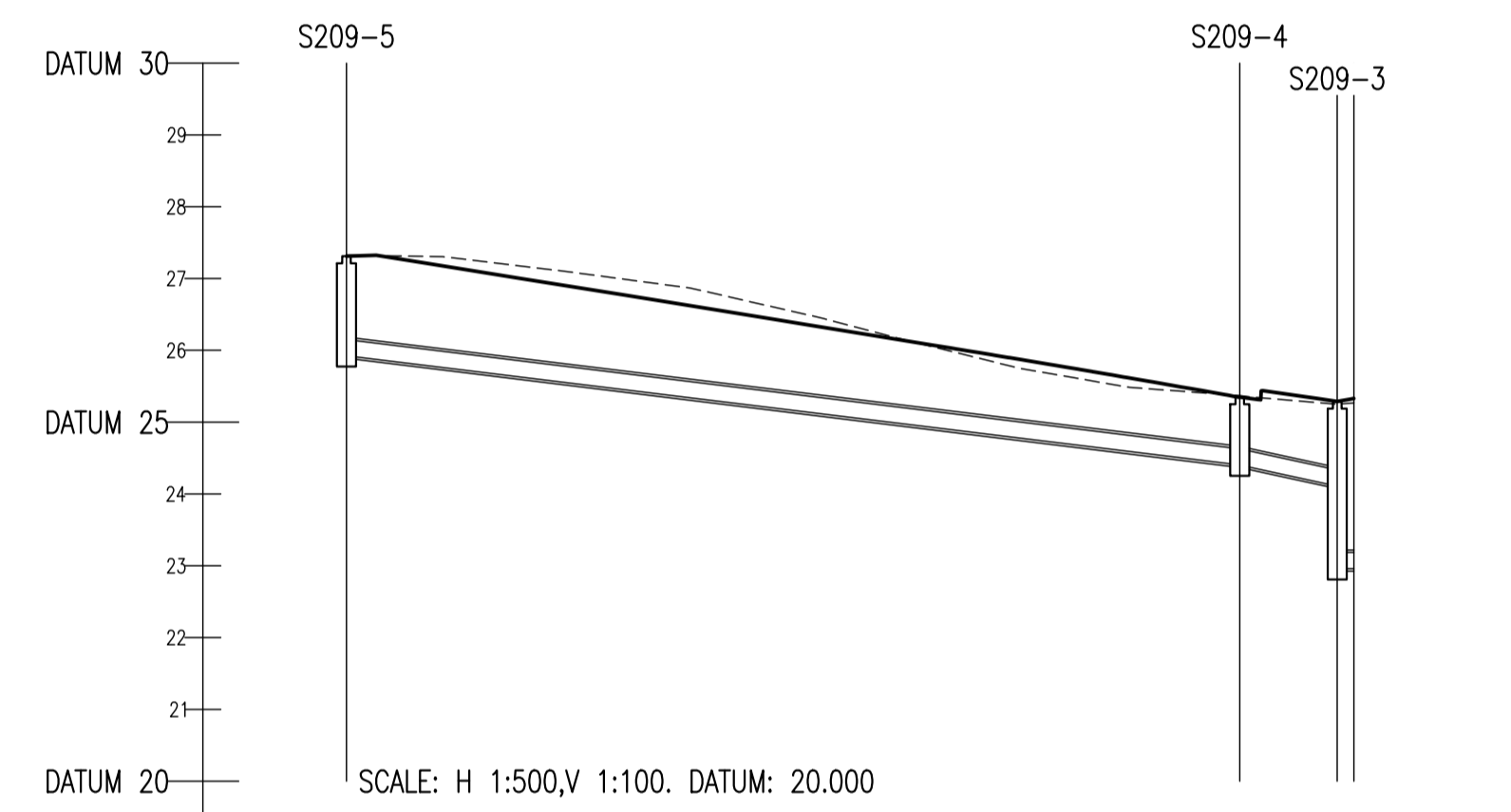
COVER LEVEL		25.843		26.145
INVERT LEVEL	24.280		24.188	
DEPTH (m)	1.563		1.993	
DISTANCE (m)		18.52		
PIPE SLOPE		1:165		
PIPE SIZE		225mm		



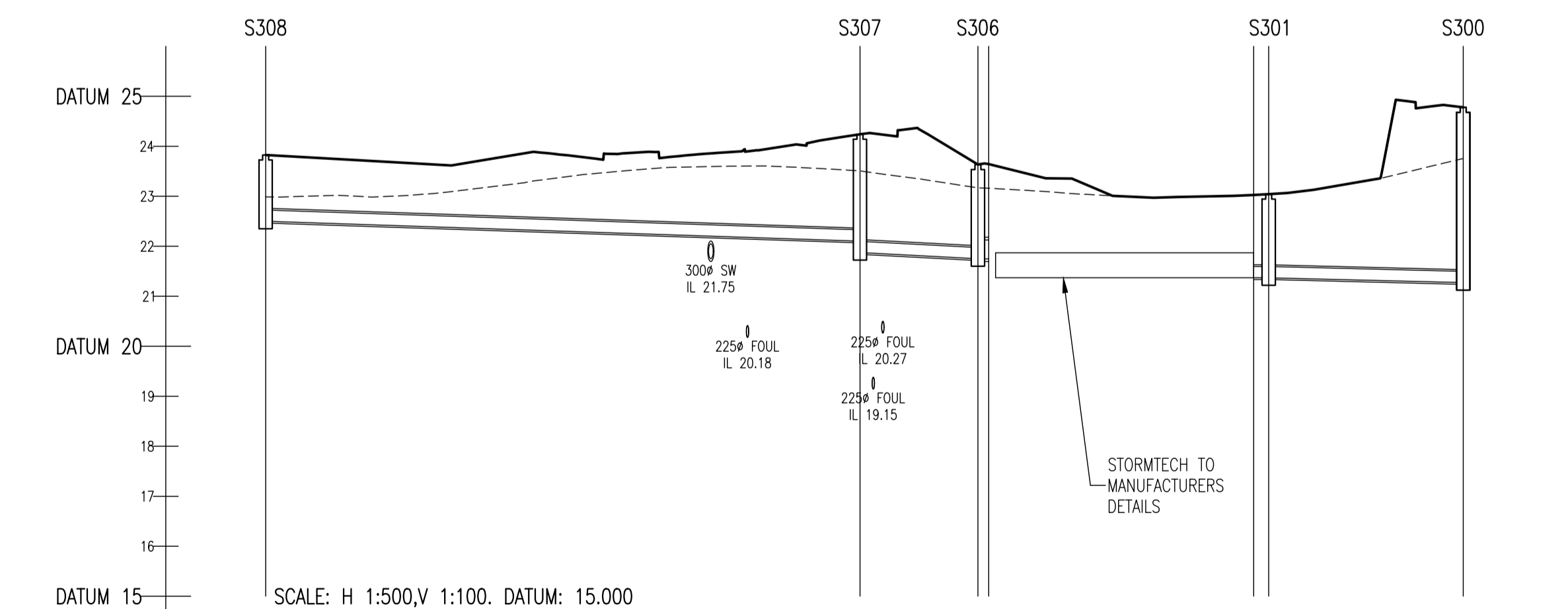
COVER LEVEL		25.685		26.145
INVERT LEVEL	24.345		24.095	
DEPTH (m)	1.360		1.993	
DISTANCE (m)		31.63	39.29	
PIPE SLOPE		1:164	1:200	
PIPE SIZE		225mm	300mm	



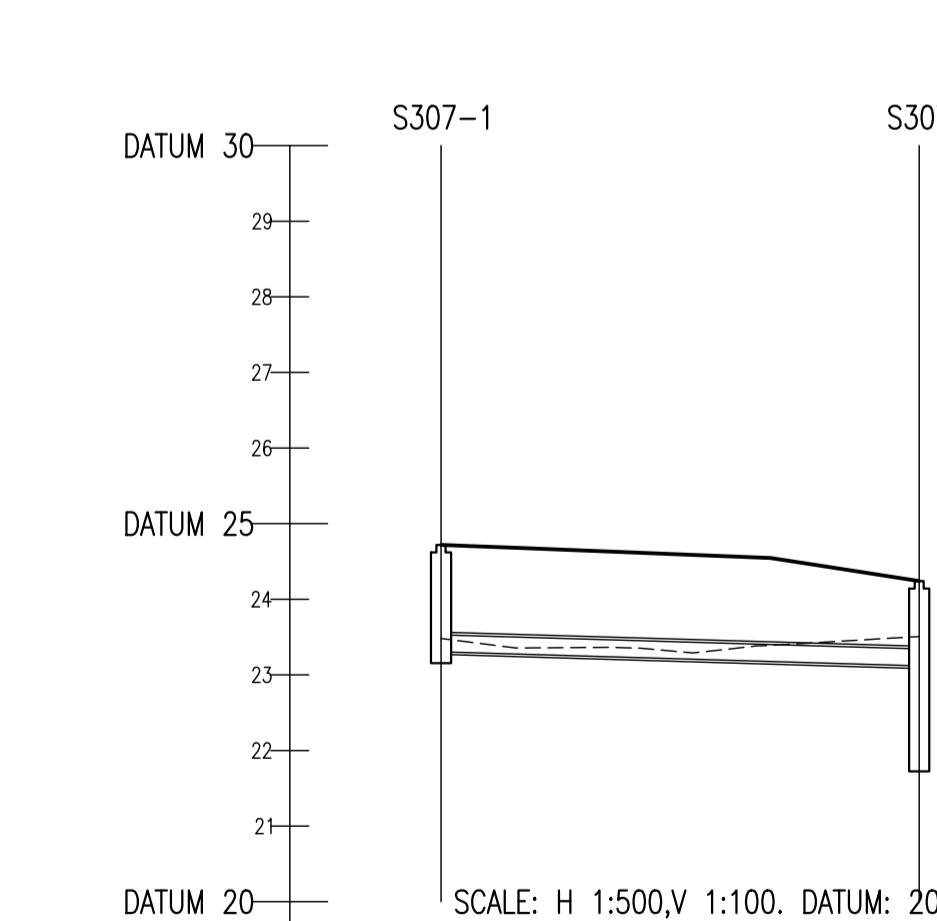
COVER LEVEL		25.453		26.647
INVERT LEVEL	24.025		23.849	
DEPTH (m)	1.428		2.652	
DISTANCE (m)		29.09	7.94	
PIPE SLOPE		1:165	1:204	
PIPE SIZE		225mm	300mm	



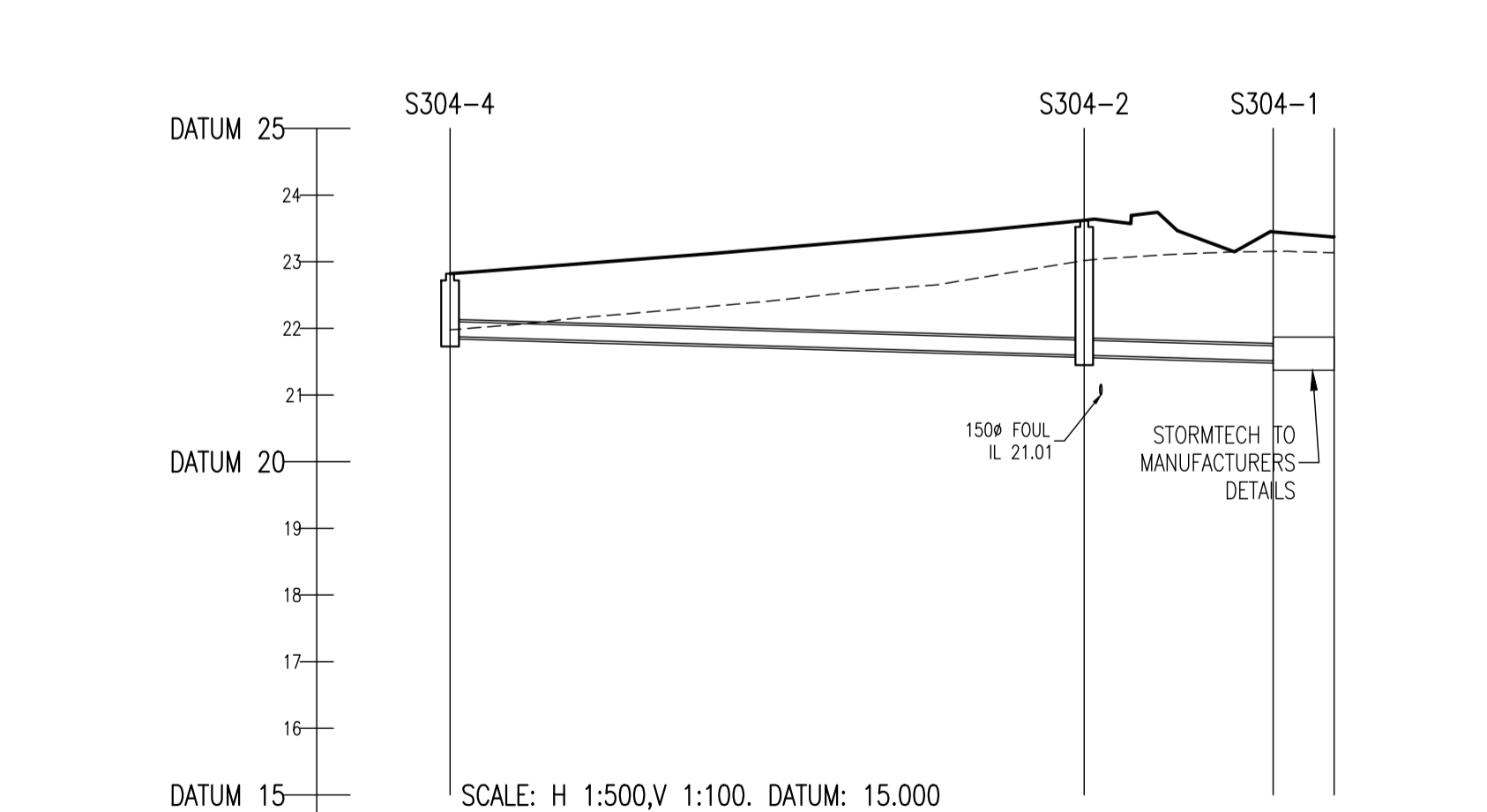
COVER LEVEL		27.712		25.388
INVERT LEVEL		26.925	24.403	25.349
DEPTH (m)		1.387	0.946	2.388
DISTANCE (m)			62.21	6.79
PIPE SLOPE			1:41	1:23horizontal
PIPE SIZE			225mm	225mm/225mm



COVER LEVEL		23.826		24.240		23.634		23.043		21.273	24.778
INVERT LEVEL	22.500		22.103	21.874	21.750	21.750	21.370	23.043		21.273	
DEPTH (m)	1.326		2.366	2.181	2.100	2.100	1.673			2.500	
DISTANCE (m)		59.49	11.81	1.08			1.50	19.47		3.505	
PIPE SLOPE		1:150	1:95	Horizontal	Horizontal	Horizontal	1:200				
PIPE SIZE		225mm	225mm	375mm			225mm	225mm			

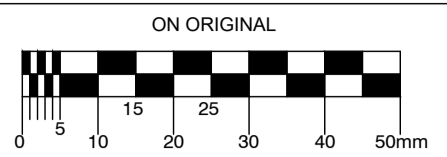


COVER LEVEL		24.719		24.240
INVERT LEVEL	23.305		23.119	
DEPTH (m)	1.414		2.366	
DISTANCE (m)		31.62		
PIPE SLOPE		1:170		
PIPE SIZE		225mm		



COVER LEVEL		22.819		23.620		22.026
INVERT LEVEL	21.877		21.597	21.597		21.514
DEPTH (m)	0.942		2.023	2.023		0.560
DISTANCE (m)		47.56	14.17			
PIPE SLOPE		1:170	1:170			
PIPE SIZE		225mm	225mm			

© COPYRIGHT OF THIS DRAWING IS RESERVED BY DBFL CONSULTING ENGINEERS. NO PART SHALL BE REPRODUCED OR TRANSMITTED WITHOUT THEIR WRITTEN PERMISSION.



- NOTES:
- ALL DRAWINGS TO BE CHECKED BY CONTRACTOR ON SITE AND ENGINEER INFORMED OF DISCREPANCIES BEFORE WORK COMMENCES
 - ALL LEVELS ARE IN METRES AND ARE RELATED TO ORDNANCE DATUM
 - CONTRACTOR SHALL SATISFY HIMSELF AS TO THE ACCURACY OF PAVEMENT LEVELS ON SITE PRIOR TO COMMENCEMENT OF WORKS ON SITE
 - ALL WORKS TO BE CONSTRUCTED IN ACCORDANCE WITH THE NRA SPECIFICATION FOR ROAD WORKS UNLESS NOTED OTHERWISE
 - THIS DRAWING IS FOR PLANNING PURPOSES ONLY
 - MANHOLE COVER LEVELS ARE TO CONFORM WITH FINISHED ROAD AND PATH LEVELS
 - WHERE COVER TO PIPE IS LESS THAN 1200mm (ROAD/PATH/VERGE) OR 900mm (OPEN SPACE) SURROUND PIPE IN MINIMUM 150mm CONCRETE

KEY
 - - - - - EXISTING GROUND PROFILE
 _____ PROPOSED GROUND PROFILE

B	31-07-20	STAGE 3 NEW APPLICATION	DJG	DMW
A	10-05-20	STAGE 2 NEW APPLICATION	DJG	AGS
REV.	DATE	DESCRIPTION	BY	CHKD.

PLANNING SHD STAGE 3

DESIGNED	DMW	PREPARED	DJG
DATE	OCT 2019	CHECKED	DJR

DBFL Consulting Engineers Dublin Office: Ormrod House, Upper Ormrod Quay, Dublin 7, Ireland. PHONE +353 1 400 4000 FAX +353 1 400 4050
 Waterford Office: Unit 2, The Chandlery, 1-2 O'Connell Street, Waterford, Ireland. PHONE +353 51 308 500 FAX +353 51 844 813
 Email: info@dbfl.ie Site: www.dbfl.ie

PROJECT
STRATEGIC HOUSING DEVELOPMENT AT COLPE WEST, DROGHEDA, CO. MEATH

DRG. TITLE
LONGITUDINAL SECTIONS THROUGH SURFACE WATER SHEET 4

CLIENT
SHANNON HOMES DROGHEDA LTD.

SCALE	AS SHOWN @A1	FILE REF.	170092-3081
DRG. NO.	170092-3084		B