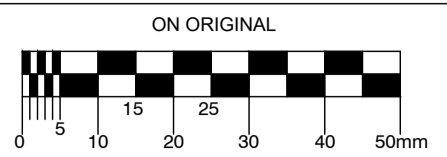


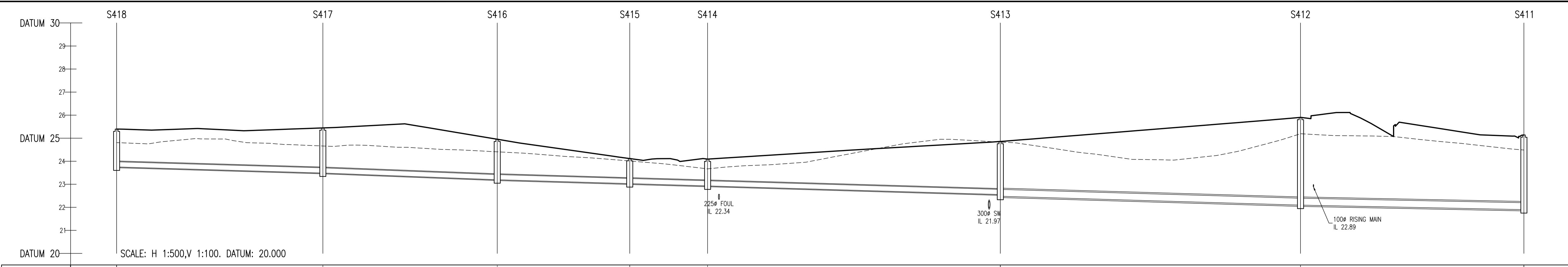
© COPYRIGHT OF THIS DRAWING IS RESERVED BY DBFL CONSULTING ENGINEERS. NO PART SHALL BE REPRODUCED OR TRANSMITTED WITHOUT THEIR WRITTEN PERMISSION.



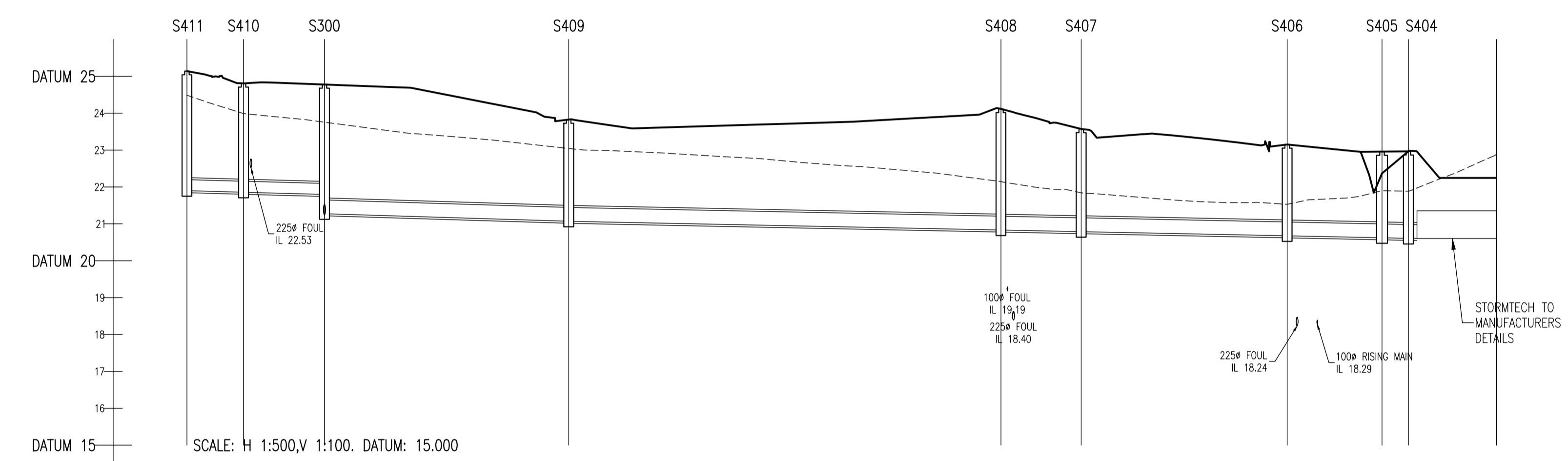
- NOTES:
- ALL DRAWINGS TO BE CHECKED BY CONTRACTOR ON SITE AND ENGINEER INFORMED OF DISCREPANCIES BEFORE WORK COMMENCES
 - ALL LEVELS ARE IN METRES AND ARE RELATED TO ORDNANCE DATUM
 - CONTRACTOR SHALL SATISFY HIMSELF AS TO THE ACCURACY OF PAVEMENT LEVELS ON SITE PRIOR TO COMMENCEMENT OF WORKS ON SITE
 - ALL WORKS TO BE CONSTRUCTED IN ACCORDANCE WITH THE NRA SPECIFICATION FOR ROAD WORKS UNLESS NOTED OTHERWISE
 - THIS DRAWING IS FOR PLANNING PURPOSES ONLY
 - MANHOLE COVER LEVELS ARE TO CONFORM WITH FINISHED ROAD AND PATH LEVELS
 - WHERE COVER TO PIPE IS LESS THAN 1200mm (ROAD/PATH/VERGE) OR 900mm (OPEN SPACE) SURROUND PIPE IN MINIMUM 150mm CONCRETE

KEY

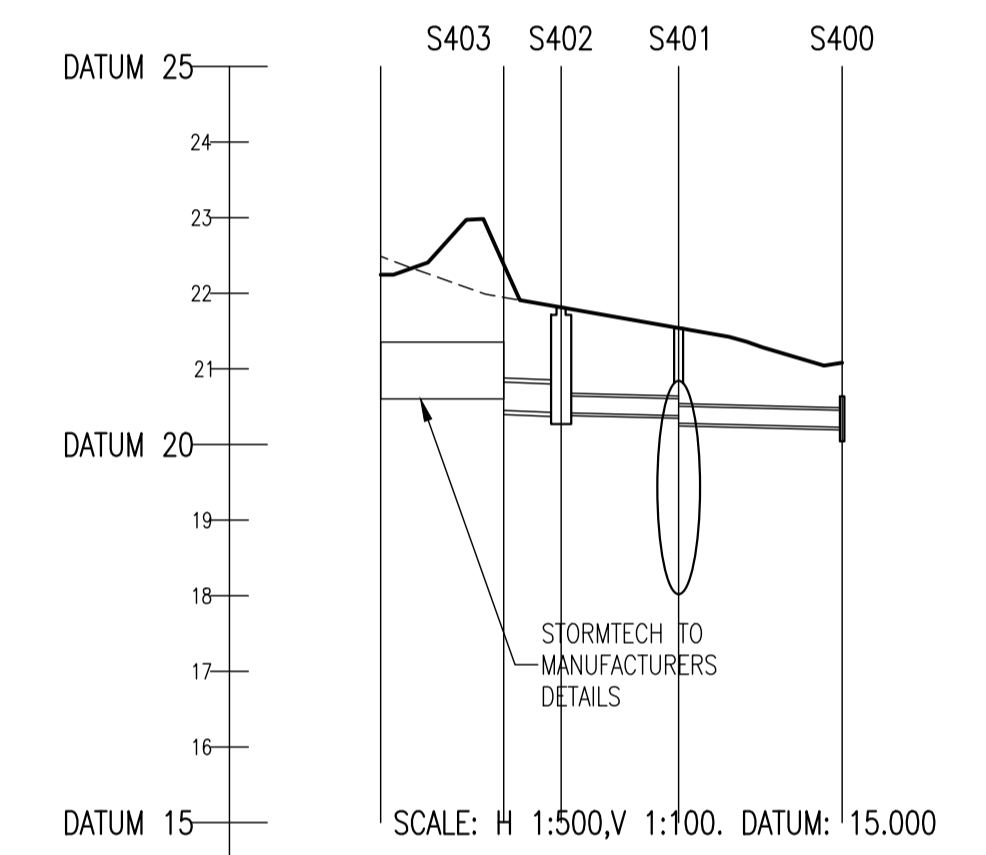
- EXISTING GROUND PROFILE
- PROPOSED GROUND PROFILE



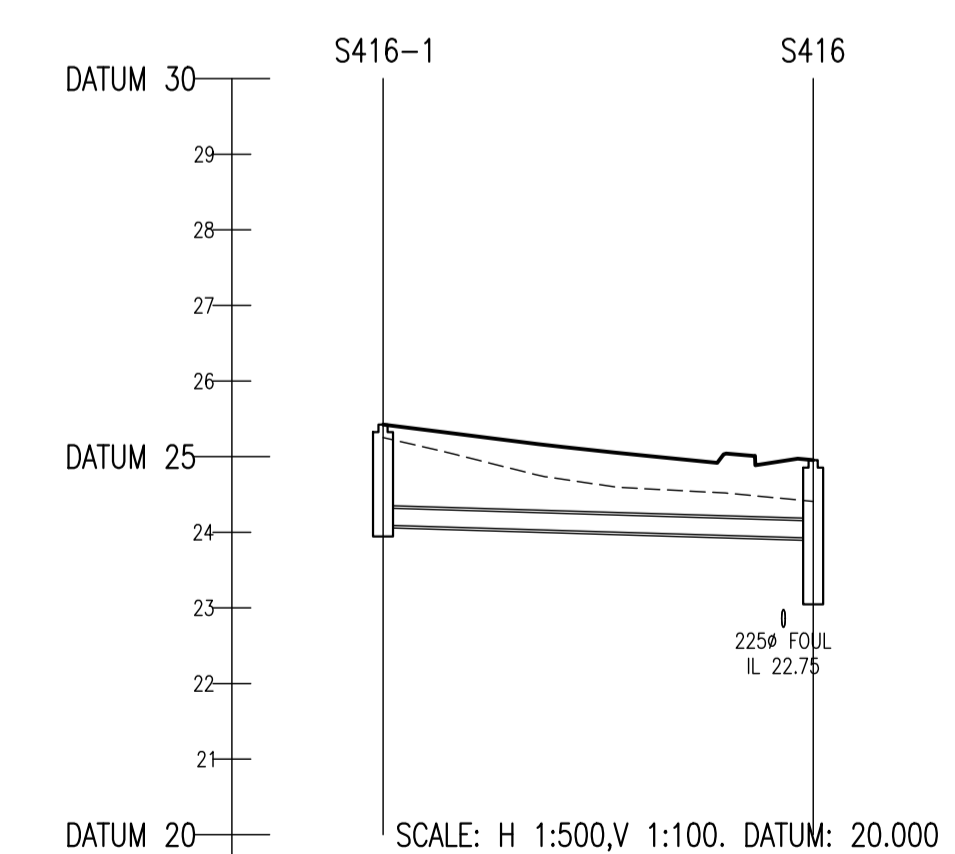
COVER LEVEL	25.395	25.445	24.955	24.118	24.082	24.858	25.903	25.141
INVERT LEVEL	23.732	23.489	23.197	23.028	22.929	22.555	22.095	21.900
DEPTH (m)	1.662	1.956	1.758	1.090	1.163	2.379	3.808	3.242
DISTANCE (m)		44.81	37.89	28.79	16.92	63.60	65.23	48.53
PIPE SLOPE		1:170	1:130	1:170	1:171	1:170	1:170	1:248
PIPE SIZE		225mm	225mm	225mm	225mm	225mm	300mm	300mm



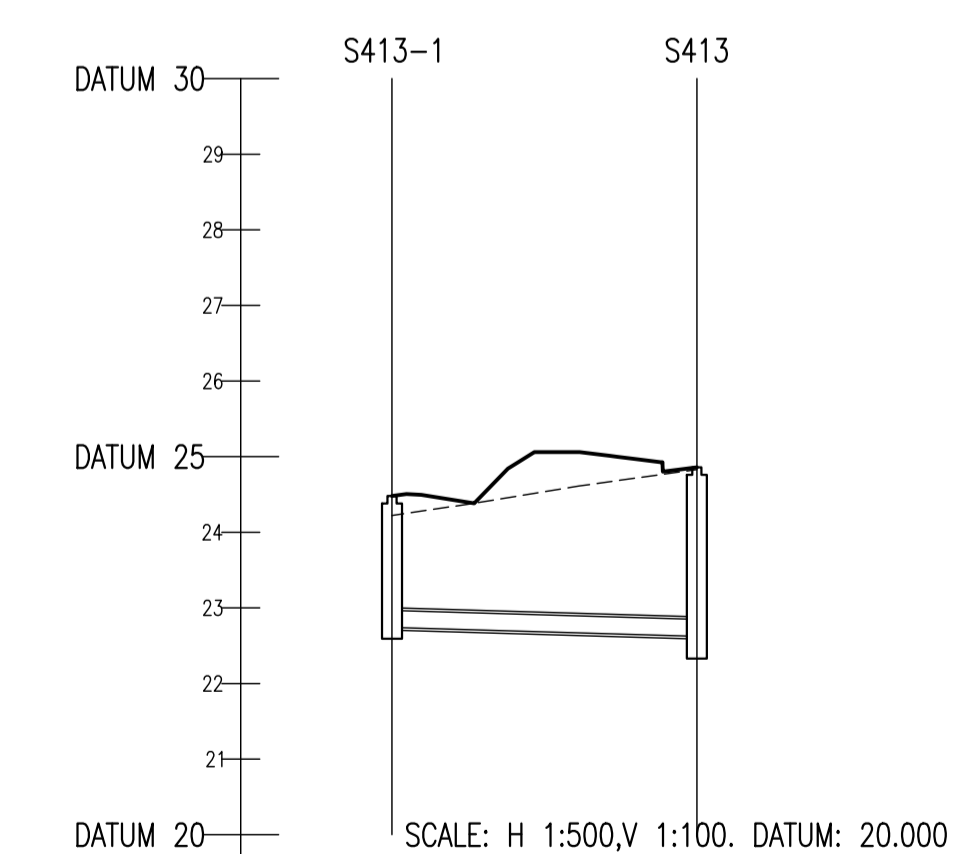
COVER LEVEL	25.141	24.808	24.778	23.927	24.118	23.573	23.151	22.959	22.986
INVERT LEVEL	21.900	21.856	21.797	21.070	20.833	20.799	20.616	20.624	20.605
DEPTH (m)	3.242	2.952	2.981	2.757	3.285	2.784	2.476	2.355	2.381
DISTANCE (m)	7.67	10.97	33.10	58.57	10.88	27.91	12.86	3.57	1.16
PIPE SLOPE	1:176	1:186	1:163	1:247	1:247	1:247	1:192	Horizontal	Horizontal
PIPE SIZE	300mm	300mm	375mm	375mm	375mm	375mm	375mm	375mm	375mm



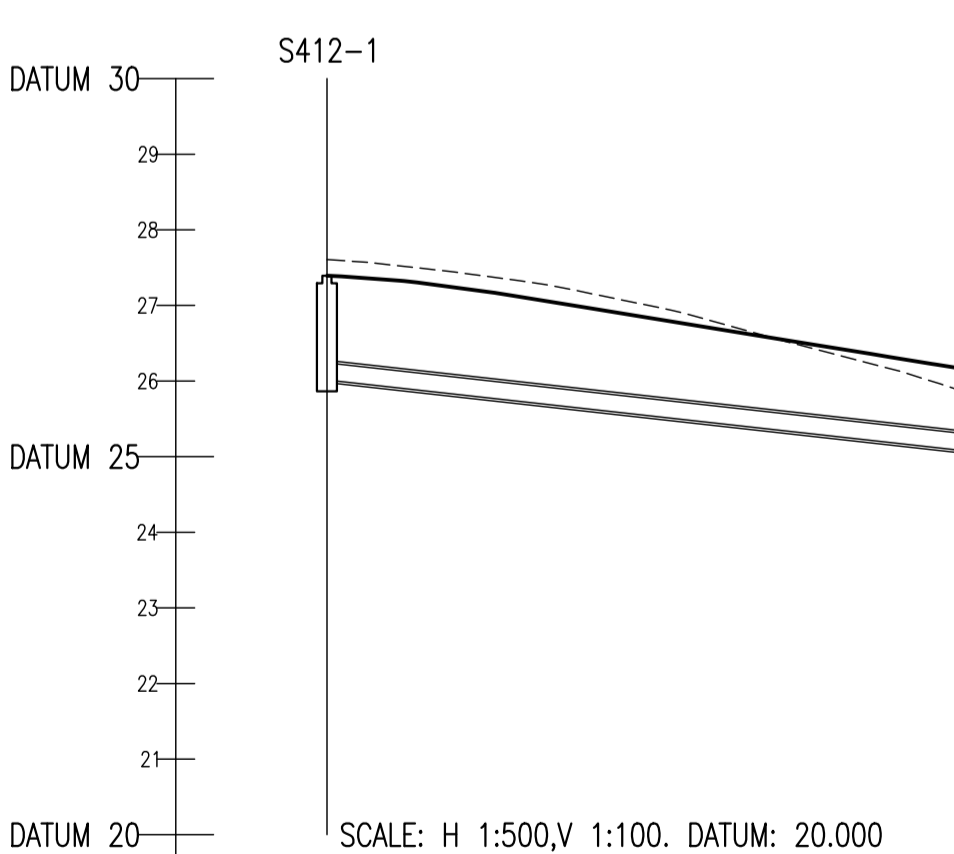
COVER LEVEL	22.480	21.813	21.542	20.637
INVERT LEVEL	20.450	20.420	20.281	20.227
DEPTH (m)	NA	1.393	NA	???
DISTANCE (m)	3.79	7.77	10.82	
PIPE SLOPE	1:126	1:200	1:200	
PIPE SIZE	375mm	225mm	225mm	



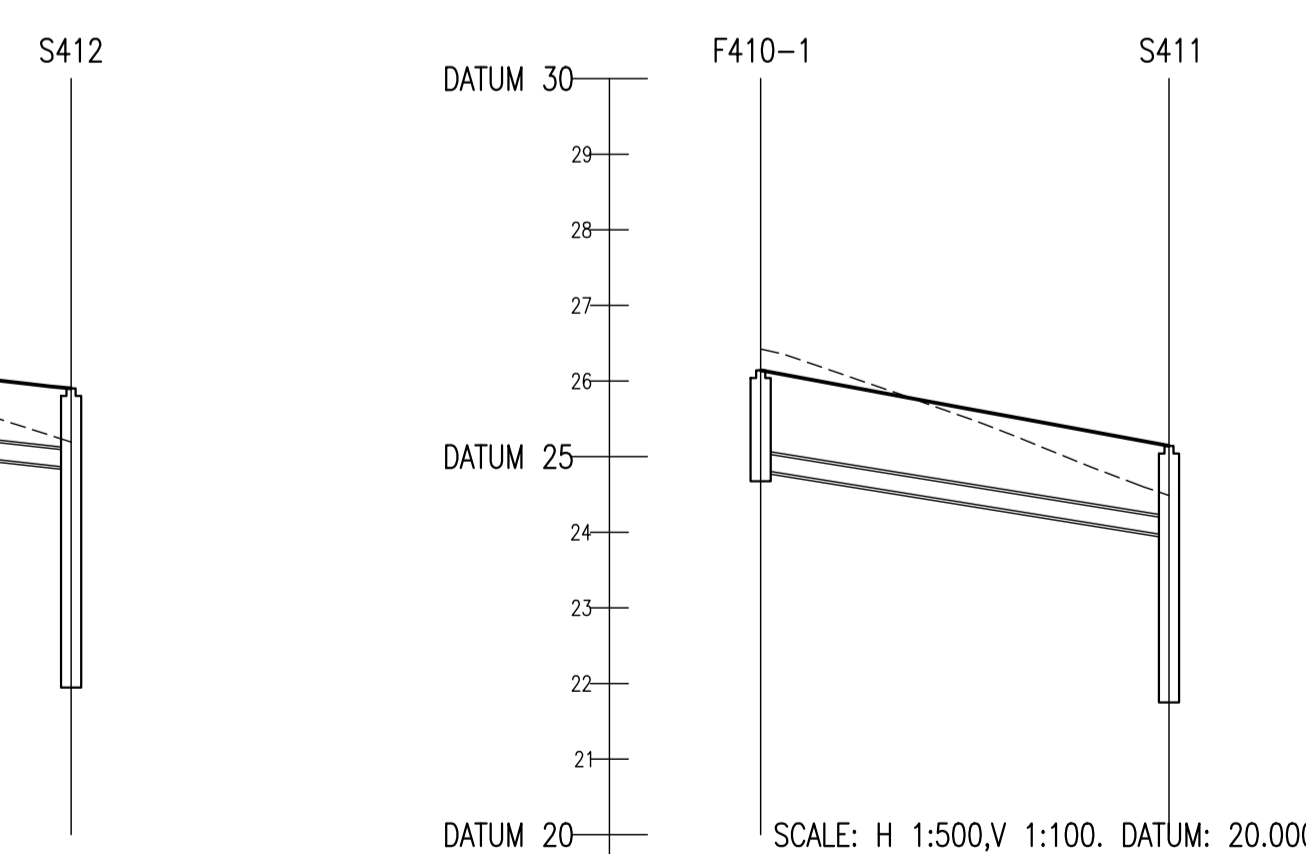
COVER LEVEL	25.425	24.955
INVERT LEVEL	24.085	23.924
DEPTH (m)	1.330	1.738
DISTANCE (m)		28.45
PIPE SLOPE		1:166
PIPE SIZE		225mm



COVER LEVEL	24.480	24.858
INVERT LEVEL	22.742	22.623
DEPTH (m)	1.738	2.379
DISTANCE (m)		20.16
PIPE SLOPE		1:170
PIPE SIZE		225mm



COVER LEVEL	27.392	25.903
INVERT LEVEL	26.015	24.853
DEPTH (m)	1.377	3.808
DISTANCE (m)		52.33
PIPE SLOPE		1:45
PIPE SIZE		225mm



COVER LEVEL	26.141	25.141
INVERT LEVEL	24.825	23.954
DEPTH (m)	1.316	3.242
DISTANCE (m)		27.01
PIPE SLOPE		1:31
PIPE SIZE		225mm

REV	DATE	DESCRIPTION	BY	CHKD
B	31-07-20	STAGE 3 NEW APPLICATION	DJG	DMW
A	10-05-20	STAGE 2 NEW APPLICATION	DJG	AGS

PLANNING SHD STAGE 3

DESIGNED	DMW	PREPARED	DJG
DATE	OCT 2019	CHECKED	DJR

DBFL Consulting Engineers email: info@dbfl.ie site: www.dbfl.ie

PROJECT
STRATEGIC HOUSING DEVELOPMENT AT COLPE WEST, DROGHEDA, CO. MEATH

DRG. TITLE
LONGITUDINAL SECTIONS THROUGH SURFACE WATER SHEET 5

CLIENT
SHANNON HOMES DROGHEDA LTD.