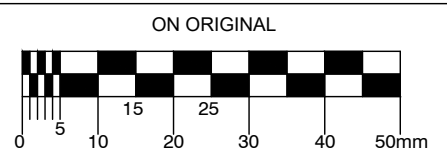


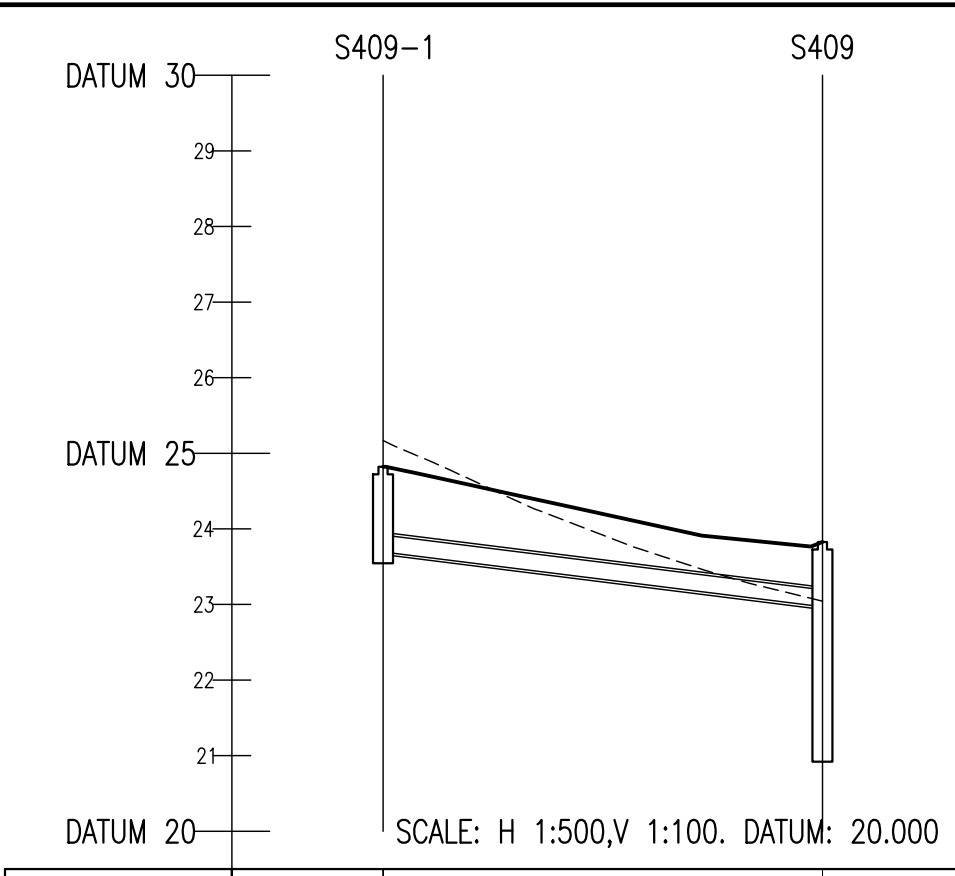
© COPYRIGHT OF THIS DRAWING IS RESERVED BY DBFL CONSULTING ENGINEERS. NO PART SHALL BE REPRODUCED OR TRANSMITTED WITHOUT THEIR WRITTEN PERMISSION.



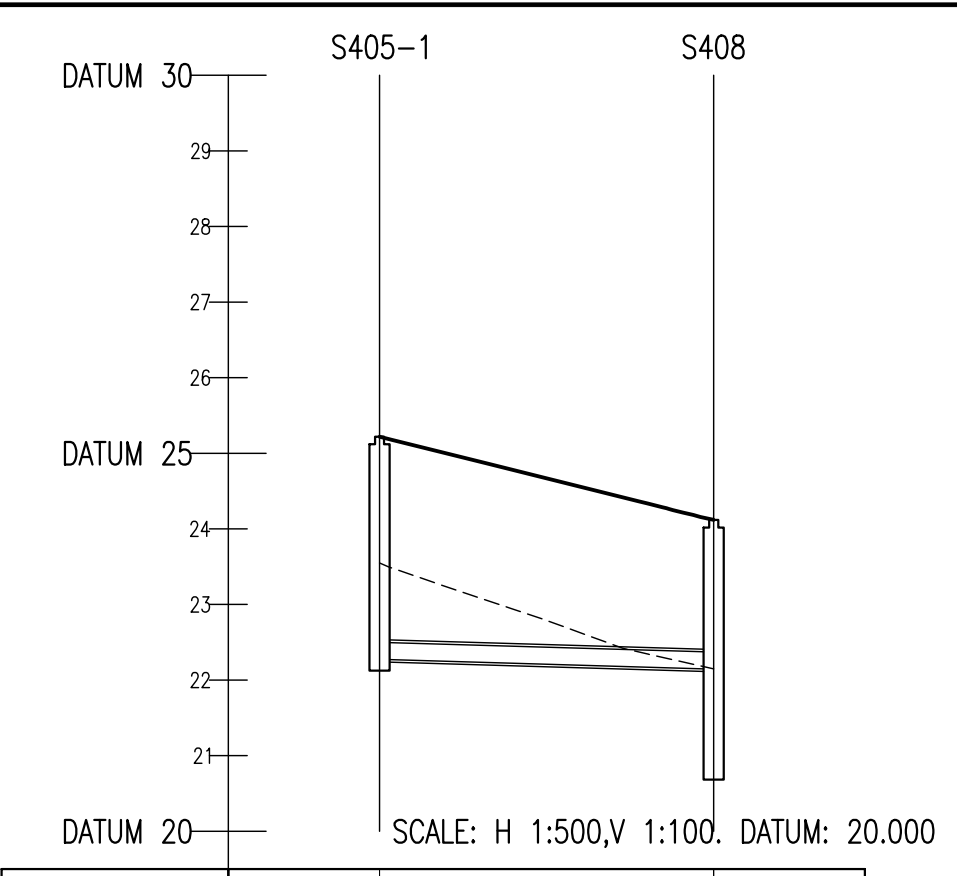
- NOTES:
- ALL DRAWINGS TO BE CHECKED BY CONTRACTOR ON SITE AND ENGINEER INFORMED OF DISCREPANCIES BEFORE WORK COMMENCES
 - ALL LEVELS ARE IN METRES AND ARE RELATED TO ORDNANCE DATUM
 - CONTRACTOR SHALL SATISFY HIMSELF AS TO THE ACCURACY OF PAVEMENT LEVELS ON SITE PRIOR TO COMMENCEMENT OF WORKS ON SITE
 - ALL WORKS TO BE CONSTRUCTED IN ACCORDANCE WITH THE NRA SPECIFICATION FOR ROAD WORKS UNLESS NOTED OTHERWISE
 - THIS DRAWING IS FOR PLANNING PURPOSES ONLY
 - MANHOLE COVER LEVELS ARE TO CONFORM WITH FINISHED ROAD AND PATH LEVELS
 - WHERE COVER TO PIPE IS LESS THAN 1200mm (ROAD/PATH/VERGE) OR 900mm (OPEN SPACE) SURROUND PIPE IN MINIMUM 150mm CONCRETE

KEY

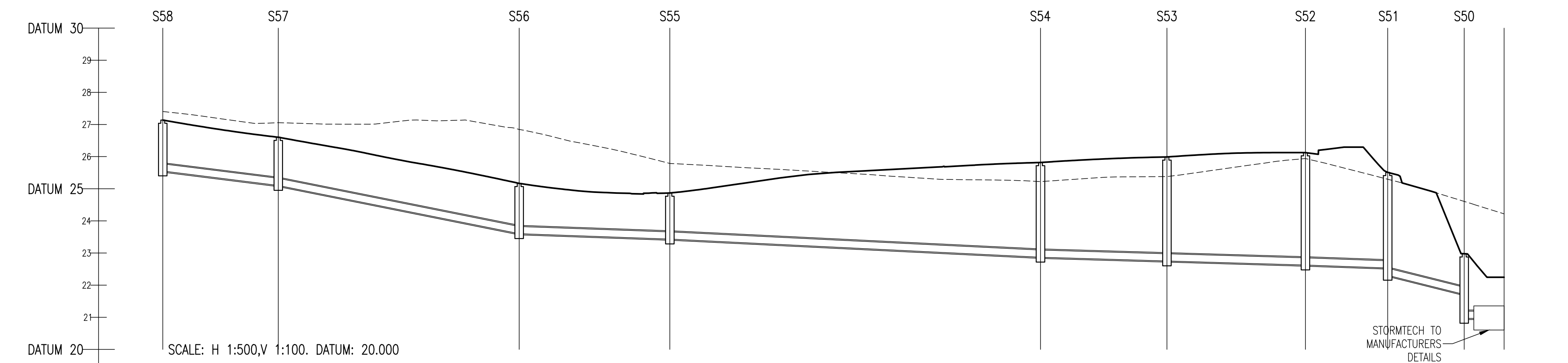
----- EXISTING GROUND PROFILE
 _____ PROPOSED GROUND PROFILE



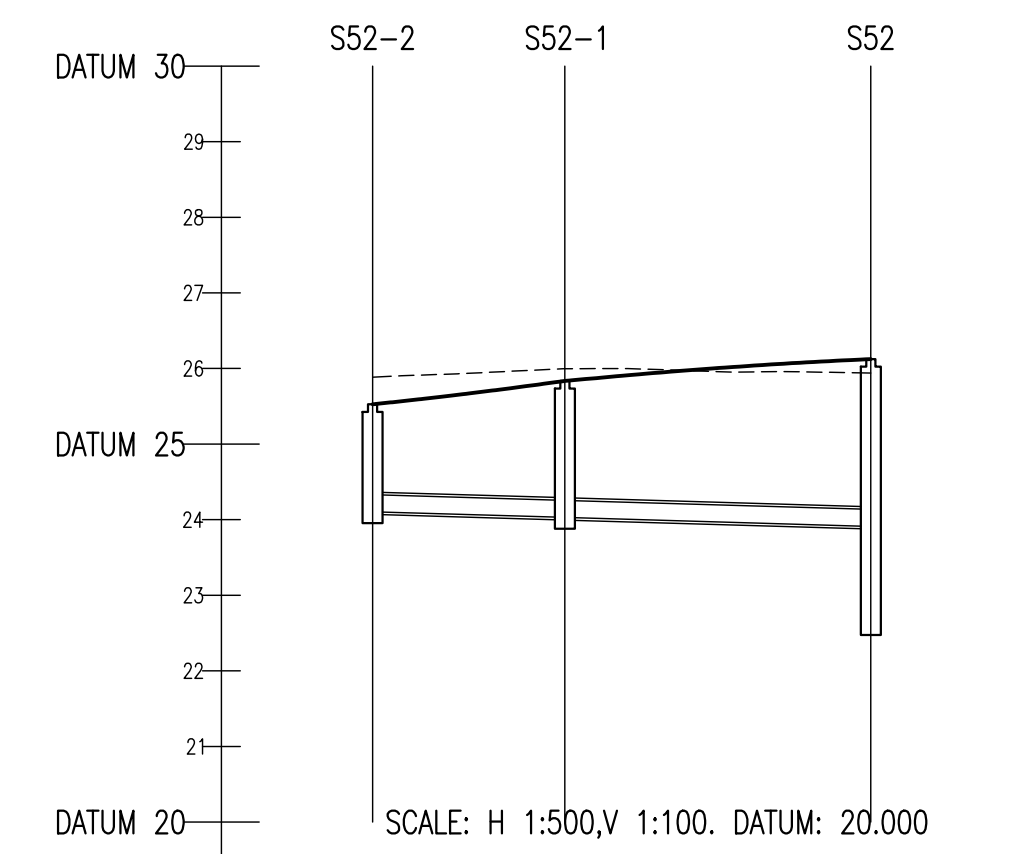
COVER LEVEL	24.822	23.827
INVERT LEVEL	23.695	22.988
DEPTH (m)	1.127	2.757
DISTANCE (m)	29.06	
PIPE SLOPE	1:40	
PIPE SIZE	225mm	



COVER LEVEL	25.219	24.118
INVERT LEVEL	22.275	22.145
DEPTH (m)	2.944	3.285
DISTANCE (m)	22.10	
PIPE SLOPE	1:170	
PIPE SIZE	225mm	



COVER LEVEL	27.138	26.604	25.108	24.688	25.817	25.990	26.124	25.510	22.978
INVERT LEVEL	25.551	25.101	23.601	23.433	22.868	22.752	22.625	22.305	21.710
DEPTH (m)	1.587	1.503	1.507	1.435	2.949	3.238	3.499	3.205	2.013
DISTANCE (m)	17.98	37.49	23.46	57.69	19.68	21.56	12.80	11.91	1.50
PIPE SLOPE	1:40	1:25	1:140	1:170	1:170	1:170	1:140	1:20	Horizontal
PIPE SIZE	225mm	225mm	225mm	225mm	225mm	225mm	225mm	225mm	225mm



COVER LEVEL	25.526	25.635	26.124
INVERT LEVEL	24.105	24.030	23.911
DEPTH (m)	1.421	1.605	3.489
DISTANCE (m)	12.72	20.23	
PIPE SLOPE	1:170	1:170	
PIPE SIZE	225mm	225mm	

B	31-07-20	STAGE 3 NEW APPLICATION	DJG	DMW
A	10-05-20	STAGE 2 NEW APPLICATION	DJG	AGS

PLANNING SHD STAGE 3

DESIGNED	DMW	PREPARED	DJG
DATE	OCT 2019	CHECKED	DJR

DBFL Consulting Engineers
 Dublin Office: Ormrod House, Upper Ormrod Quay, Dublin 7, Ireland. PHONE +353 1 400 4000 FAX +353 1 400 4050
 Waterford Office: Unit 2, The Chandlery, 1-2 O'Connell Street, Waterford, Ireland. PHONE +353 51 339 550 FAX +353 51 844 913
 Email: info@dbfl.ie site: www.dbfl.ie

PROJECT
STRATEGIC HOUSING DEVELOPMENT AT COLPE WEST, DROGHEDA, CO. MEATH

DRG. TITLE
LONGITUDINAL SECTIONS THROUGH SURFACE WATER SHEET 6

CLIENT
SHANNON HOMES DROGHEDA LTD.

SCALE	AS SHOWN @A1	FILE REF.	170092-3081
DRG. NO.	170092-3086		B