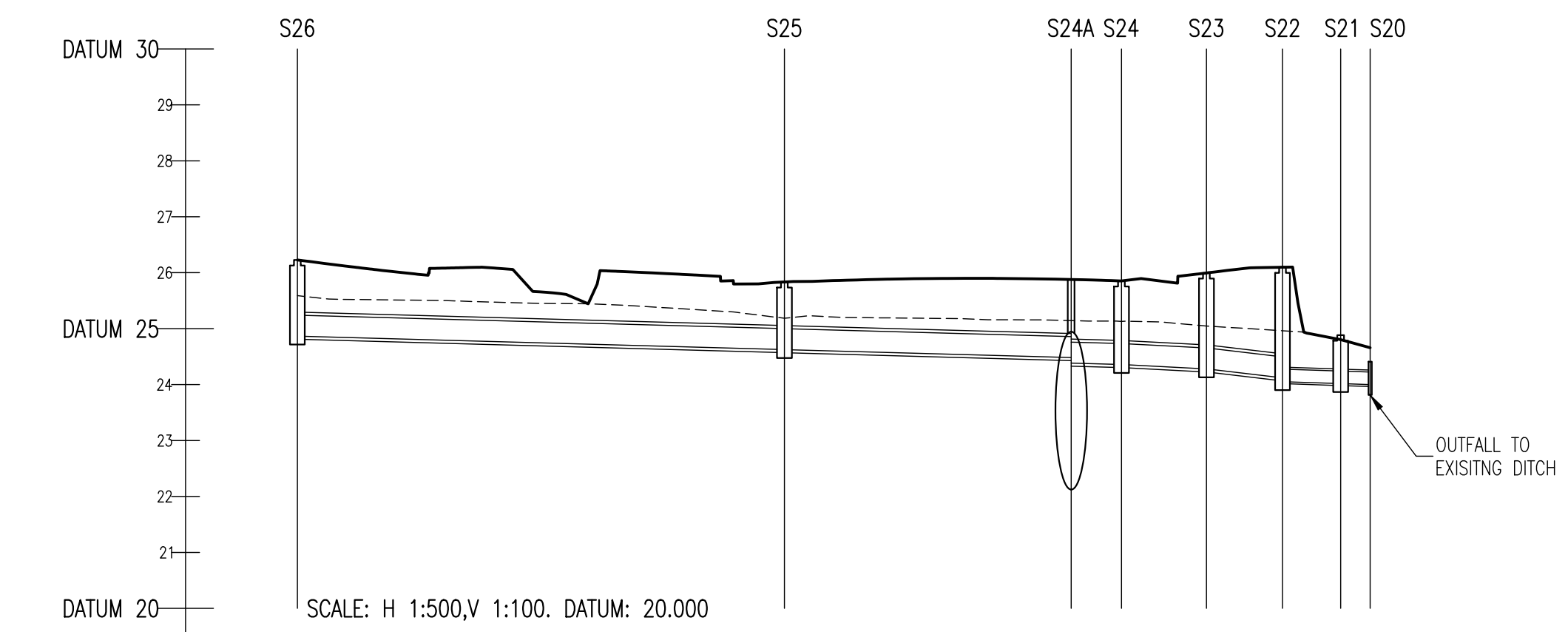
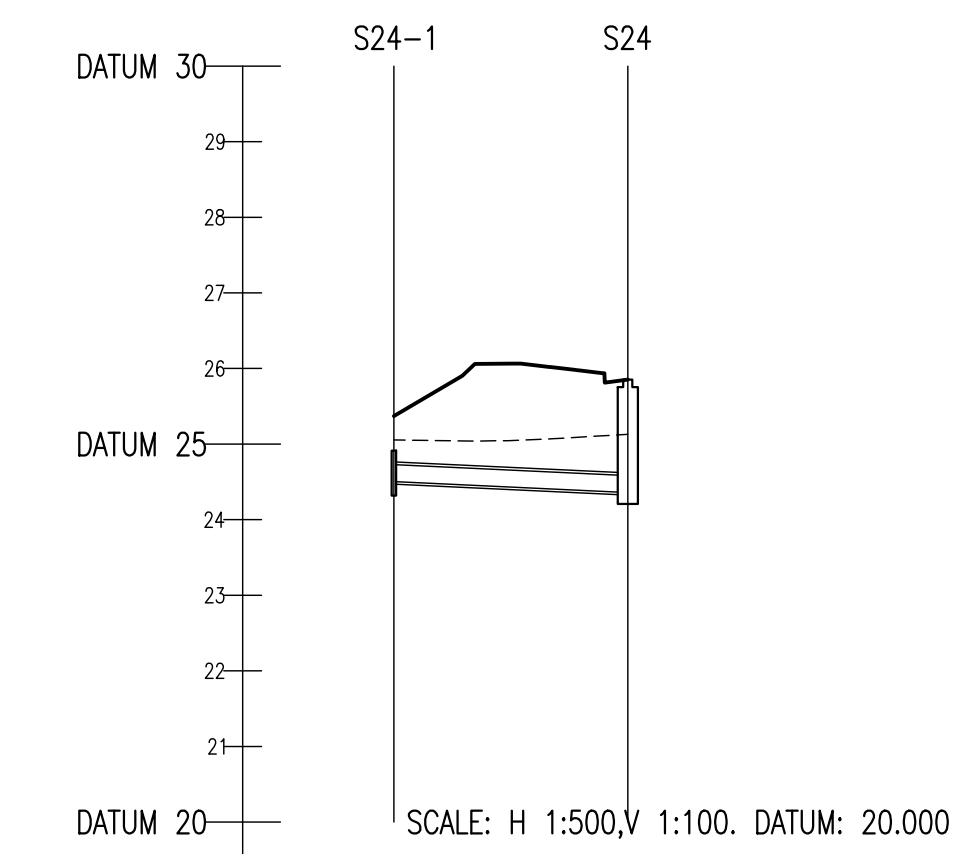


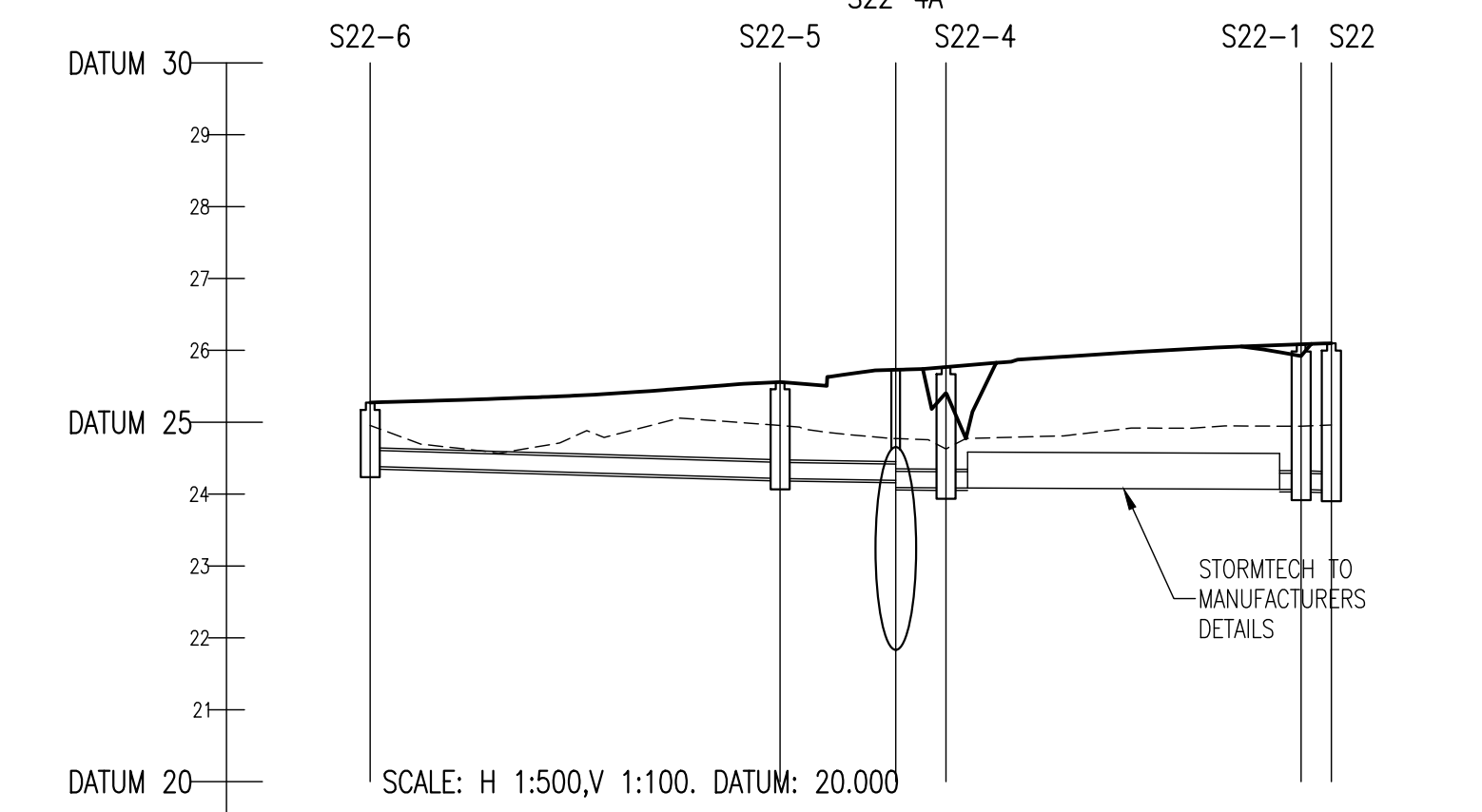
COVER LEVEL	28.412	28.951	29.235	28.181	28.228
INVERT LEVEL	26.830	26.662 26.587	26.044 26.044	25.614 25.614	24.941
DEPTH (m)	1.582	2.006	3.191	2.567	1.362
DISTANCE (m)	28.60	89.60	86.01	80.69	
PIPE SLOPE	1:170	1:165	1:200	1:120	
PIPE SIZE	225mm	300mm	300mm	300mm	



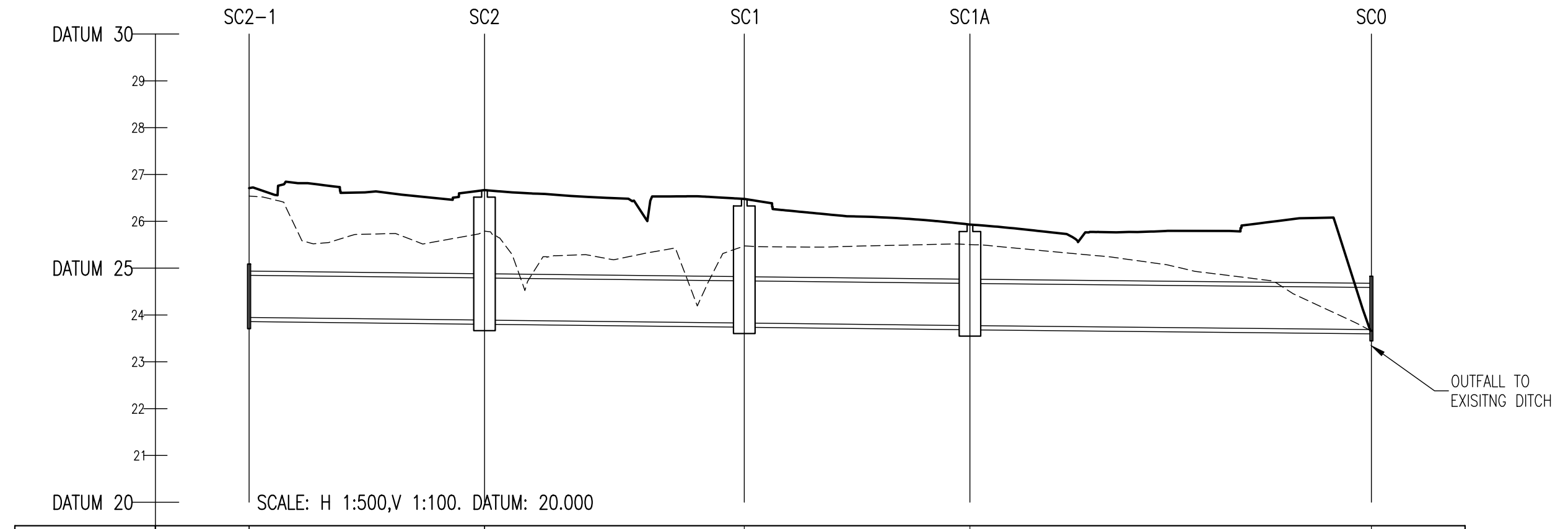
COVER LEVEL	26.228	25.834	25.878	25.822	25.995	26.098	24.483	24.410	24.017	24.000
INVERT LEVEL	24.886	24.625 24.625	24.483	24.359	24.280	24.280	24.170	24.052	24.000	24.000
DEPTH (m)	1.342	1.209	NA	1.483	1.715	1.715	2.046	0.866	???	???
DISTANCE (m)	43.55	25.64	4.50	7.60	6.80	5.20	2.64			
PIPE SLOPE	1:181	1:180	1:187	1:96	1:43	1:149	1:155			
PIPE SIZE	375mm	375mm	375mm	375mm	375mm	225mm	225mm			



COVER LEVEL	24.914	25.822
INVERT LEVEL	24.504	24.359
DEPTH (m)	???	1.483
DISTANCE (m)	15.47	
PIPE SLOPE	1:107	
PIPE SIZE	225mm	

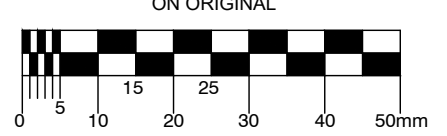


COVER LEVEL	25.272	25.559	25.730	25.784	26.095	26.095
INVERT LEVEL	24.385	24.217 24.217	24.192	24.096	24.096	24.096
DEPTH (m)	0.887	1.062	NA	1.688	1.999	2.099
DISTANCE (m)	28.50	8.04	3.50	1.50	1.50	1.50
PIPE SLOPE	1:170	1:321	Horizontal	Horizontal	Horizontal	Horizontal
PIPE SIZE	225mm	225mm	225mm	225mm	225mm	225mm



COVER LEVEL	23.087	26.685	26.477	25.931	24.827
INVERT LEVEL	23.947	23.950 23.950	23.828	23.773	23.687
DEPTH (m)	???	2.775	2.650	2.158	2.160
DISTANCE (m)	25.14	27.73	24.09	42.86	
PIPE SLOPE	1:442	1:442	1:443	1:500	
PIPE SIZE	900mm	900mm	900mm	900mm	

© COPYRIGHT OF THIS DRAWING IS RESERVED BY DBFL CONSULTING ENGINEERS. NO PART SHALL BE REPRODUCED OR TRANSMITTED WITHOUT THEIR WRITTEN PERMISSION.



- NOTES:
- ALL DRAWINGS TO BE CHECKED BY CONTRACTOR ON SITE AND ENGINEER INFORMED OF DISCREPANCIES BEFORE WORK COMMENCES
 - ALL LEVELS ARE IN METRES AND ARE RELATED TO ORDNANCE DATUM
 - CONTRACTOR SHALL SATISFY HIMSELF AS TO THE ACCURACY OF PAVEMENT LEVELS ON SITE PRIOR TO COMMENCEMENT OF WORKS ON SITE
 - ALL WORKS TO BE CONSTRUCTED IN ACCORDANCE WITH THE NRA SPECIFICATION FOR ROAD WORKS UNLESS NOTED OTHERWISE
 - THIS DRAWING IS FOR PLANNING PURPOSES ONLY
 - MANHOLE COVER LEVELS ARE TO CONFORM WITH FINISHED ROAD AND PATH LEVELS
 - WHERE COVER TO PIPE IS LESS THAN 1200mm (ROAD/PATH/VERGE) OR 900mm (OPEN SPACE) SURROUND PIPE IN MINIMUM 150mm CONCRETE

KEY
 - - - - - EXISTING GROUND PROFILE
 _____ PROPOSED GROUND PROFILE

B	31-07-20	STAGE 3 NEW APPLICATION	DJG	DMW
A	10-05-20	STAGE 2 NEW APPLICATION	DJG	AGS
REV	DATE	DESCRIPTION	BY	CHKD

PLANNING SHD STAGE 3

DESIGNED	DMW	PREPARED	DJG
DATE	OCT 2019	CHECKED	DJR

DBFL Consulting Engineers
 Dublin Office: Ormrod House, Upper Ormrod Quay, Dublin 7, Ireland. PHONE +353 1 400 4000 FAX +353 1 400 4050
 Waterford Office: Unit 2, The Chandlery, 1-2 O'Connell Street, Waterford, Ireland. PHONE +353 51 338 550 FAX +353 51 844 913
 Email: info@dbfl.ie site: www.dbfl.ie

PROJECT
STRATEGIC HOUSING DEVELOPMENT AT COLPE WEST, DROGHEDA, CO. MEATH

DRG. TITLE
LONGITUDINAL SECTIONS THROUGH SURFACE WATER SHEET 8

CLIENT
SHANNON HOMES DROGHEDA LTD.

SCALE	AS SHOWN @A1	FILE REF.	170092-3081
DRG. NO.	170092-3088		B