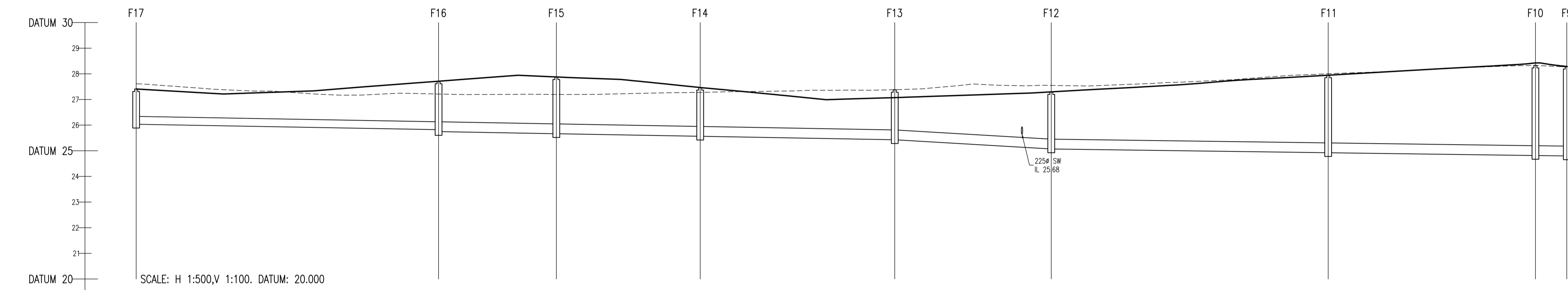
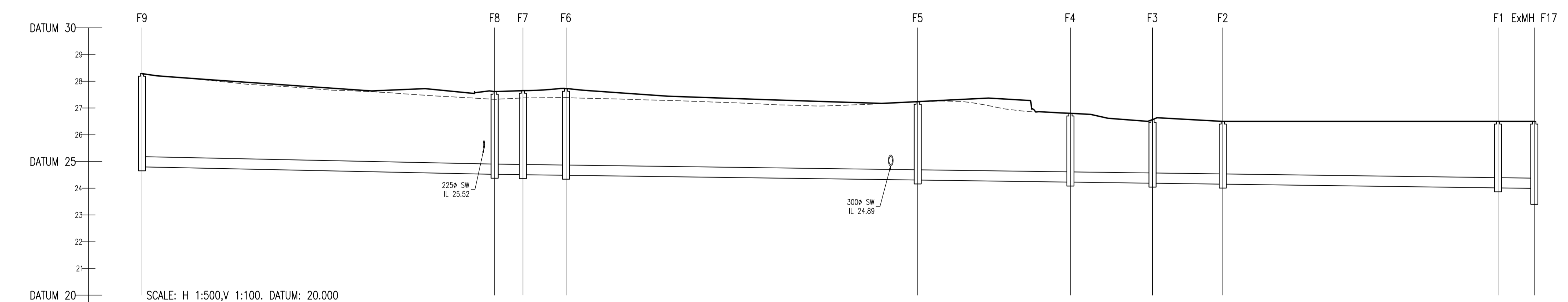


COVER LEVEL		29.043		28.481		27.992		27.408
INVERT LEVEL	27.748	27.683	27.683	27.087	27.087	26.687	26.687	26.455
DEPTH (m)		1.366		1.394		1.305		1.371
DISTANCE (m)	9.77		95.32		80.09		57.98	
PIPE SLOPE	1:150		1:160		1:200		1:250	
PIPE SIZE	225mm		225mm		225mm		225mm	

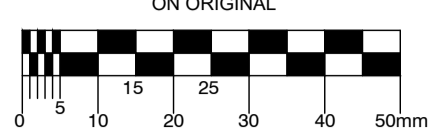


COVER LEVEL	27.408		27.712		27.878		27.465		27.381		27.286		27.947		28.329		28.287
INVERT LEVEL	26.037		25.826	25.751	25.669	25.669	25.569	25.569	25.433	25.433	25.074	25.074	24.926	24.926	24.819	24.819	24.802
DEPTH (m)	1.371		1.586	1.961	2.209	2.569	1.897	1.948	2.222	2.222	3.071	3.071	3.421	3.421	3.511	3.485	
DISTANCE (m)		59.06		23.00		28.10		37.99		30.57		54.08		40.48		6.12	
PIPE SLOPE		1:280		1:280		1:280		1:280		1:85		1:370		1:370		1:370	
PIPE SIZE		300mm		375mm		375mm		375mm		375mm		375mm		375mm		375mm	



COVER LEVEL	28.287		27.614		27.723		27.239		26.803		26.563		26.500		26.500		26.500
INVERT LEVEL	24.802		24.524	24.524	24.509	24.509	24.488	24.488	24.310	24.310	24.191	24.191	24.156	24.156	24.016	24.016	23.995
DEPTH (m)	3.485		3.091	3.141	3.141	3.226	2.929	2.929	2.570	2.570	2.372	2.372	2.344	2.344	2.484	2.484	2.505
DISTANCE (m)		66.05		5.29	8.08		65.86		28.60		15.37		13.16		51.54		6.80
PIPE SLOPE		1:237		1:370	1:370		1:370		1:370		1:370		1:370		1:370		1:370
PIPE SIZE		375mm		375mm	375mm		375mm		375mm		375mm		375mm		375mm		375mm

© COPYRIGHT OF THIS DRAWING IS RESERVED BY DBFL CONSULTING ENGINEERS. NO PART SHALL BE REPRODUCED OR TRANSMITTED WITHOUT THEIR WRITTEN PERMISSION.



- NOTES:
1. ALL DRAWINGS TO BE CHECKED BY CONTRACTOR ON SITE AND ENGINEER INFORMED OF DISCREPANCIES BEFORE WORK COMMENCES
 2. ALL LEVELS ARE IN METRES AND ARE RELATED TO ORDNANCE DATUM
 3. CONTRACTOR SHALL SATISFY HIMSELF AS TO THE ACCURACY OF PAVEMENT LEVELS ON SITE PRIOR TO COMMENCEMENT OF WORKS ON SITE
 4. ALL WORKS TO BE CONSTRUCTED IN ACCORDANCE WITH THE NRA SPECIFICATION FOR ROAD WORKS UNLESS NOTED OTHERWISE
 5. THIS DRAWING IS FOR PLANNING PURPOSES ONLY
 6. MANHOLE COVER LEVELS ARE TO CONFORM WITH FINISHED ROAD AND PATH LEVELS
 7. WHERE COVER TO PIPE IS LESS THAN 1200mm (ROAD/PATH/VERGE) OR 900mm (OPEN SPACE) SURROUND PIPE IN MINIMUM 150mm CONCRETE

KEY
 - - - - - EXISTING GROUND PROFILE
 _____ PROPOSED GROUND PROFILE

C	31-07-20	STAGE 3 NEW APPLICATION	DJG	DMW
B	10-03-20	STAGE 2 NEW APPLICATION	DJG	AOS
A	10-10-19	PLANNING SHD STAGE 3	DJG	DCC
REV.	DATE	DESCRIPTION	BY	CHKD.

PLANNING SHD STAGE 3

DESIGNED	DMW	PREPARED	DJG
DATE	OCT 2019	CHECKED	DJR

DBFL Dublin Office: Ormrod House, Upper Ormrod Quay, Dublin 7, Ireland. PHONE +353 1 400 4000 FAX +353 1 400 4050
 Waterford Office: Unit 2, The Chandlery, 1-2 O'Connell Street, Waterford, Ireland. PHONE +353 51 308 500 FAX +353 51 844 913

DBFL Consulting Engineers email: info@dbfl.ie site: www.dbfl.ie

PROJECT
STRATEGIC HOUSING DEVELOPMENT AT COLPE WEST, DROGHEDA, CO. MEATH

DRG. TITLE
LONGITUDINAL SECTIONS THROUGH FOUL SEWER SHEET 1

CLIENT
SHANNON HOMES DROGHEDA LTD.

SCALE AS SHOWN @A1 FILE REF. 170092-3081
 DRG. NO. 170092-3091