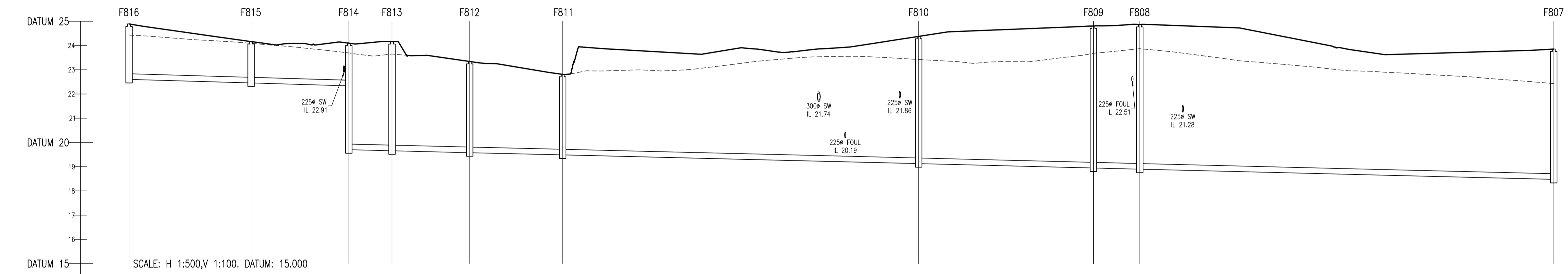
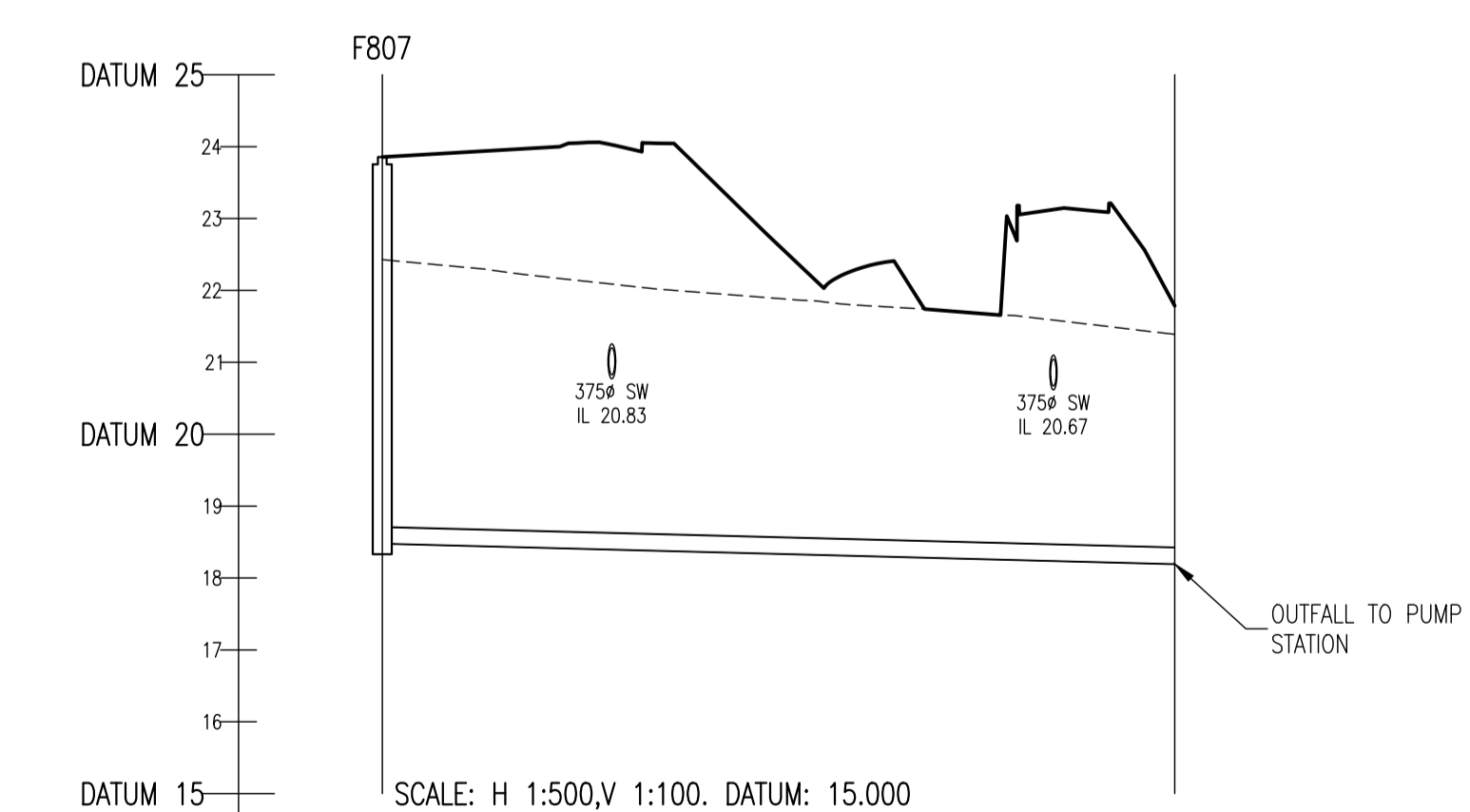


COVER LEVEL	27.339	27.298	26.980	27.063	25.507	25.352	24.892
INVERT LEVEL	26.200	26.146	25.100	24.237	23.556	23.177	20.736
DEPTH (m)	1.089	1.227	1.880	2.826	1.951	2.175	2.286
DISTANCE (m)	7.30	80.48	77.71	61.20	34.06	57.39	
PIPE SLOPE	1:70	1:83	1:90	1:90	1:90	1:130	
PIPE SIZE	150mm	225mm	225mm	225mm	225mm	225mm	

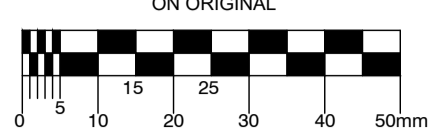


COVER LEVEL	24.892	24.161	24.099	24.163	23.543	22.809	24.778	24.805	24.869	23.854
INVERT LEVEL	22.606	22.459	22.339	19.660	19.580	19.490	19.130	18.950	18.900	18.480
DEPTH (m)	2.286	1.702	4.394	4.503	3.763	3.319	5.248	5.855	5.969	5.374
DISTANCE (m)	25.15	20.14	8.90	16.00	19.16	73.35	36.00	9.57	85.30	
PIPE SLOPE	1:171	1:168	1:198	1:200	1:213	1:204	1:200	1:191	1:203	
PIPE SIZE	225mm	225mm	225mm	225mm	225mm	225mm	225mm	225mm	225mm	



COVER LEVEL	23.854	
INVERT LEVEL	18.480	18.196
DEPTH (m)	5.374	
DISTANCE (m)	55.12	
PIPE SLOPE	1:194	
PIPE SIZE	225mm	

© COPYRIGHT OF THIS DRAWING IS RESERVED BY DBFL CONSULTING ENGINEERS. NO PART SHALL BE REPRODUCED OR TRANSMITTED WITHOUT THEIR WRITTEN PERMISSION.



- NOTES:
- ALL DRAWINGS TO BE CHECKED BY CONTRACTOR ON SITE AND ENGINEER INFORMED OF DISCREPANCIES BEFORE WORK COMMENCES
 - ALL LEVELS ARE IN METRES AND ARE RELATED TO ORDNANCE DATUM
 - CONTRACTOR SHALL SATISFY HIMSELF AS TO THE ACCURACY OF PAVEMENT LEVELS ON SITE PRIOR TO COMMENCEMENT OF WORKS ON SITE
 - ALL WORKS TO BE CONSTRUCTED IN ACCORDANCE WITH THE NRA SPECIFICATION FOR ROAD WORKS UNLESS NOTED OTHERWISE
 - THIS DRAWING IS FOR PLANNING PURPOSES ONLY
 - MANHOLE COVER LEVELS ARE TO CONFORM WITH FINISHED ROAD AND PATH LEVELS
 - WHERE COVER TO PIPE IS LESS THAN 1200mm (ROAD/PATH/VERGE) OR 900mm (OPEN SPACE) SURROUND PIPE IN MINIMUM 150mm CONCRETE

KEY
 - - - - - EXISTING GROUND PROFILE
 _____ PROPOSED GROUND PROFILE

C	31-07-20	STAGE 3 NEW APPLICATION	DJG	DMW
B	10-03-20	STAGE 2 NEW APPLICATION	DJG	AOS
A	10-10-19	PLANNING SHD STAGE 3	DJG	DCG
REV.	DATE	DESCRIPTION	BY	CHKD.
PLANNING SHD STAGE 3				
DESIGNED	DMW	PREPARED	DJG	
DATE	OCT 2019	CHECKED	DJR	

DBFL Consulting Engineers
 Dublin Office: Ormrod House, Upper Ormrod Quay, Dublin 7, Ireland. PHONE +353 1 400 4000 FAX +353 1 400 4050
 Waterford Office: Unit 2, The Chandlery, 1-2 O'Connell Street, Waterford, Ireland. PHONE +353 51 308 500 FAX +353 51 844 813
 Email: info@dbfl.ie site: www.dbfl.ie

PROJECT
STRATEGIC HOUSING DEVELOPMENT AT COLPE WEST, DROGHEDA, CO. MEATH

DRG. TITLE
LONGITUDINAL SECTIONS THROUGH FOUL SEWER SHEET 2

CLIENT
SHANNON HOMES DROGHEDA LTD.

SCALE	AS SHOWN @A1	FILE REF.	170092-3081
DRG. NO.	170092-3092		C