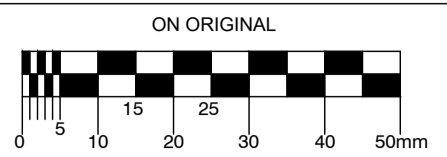


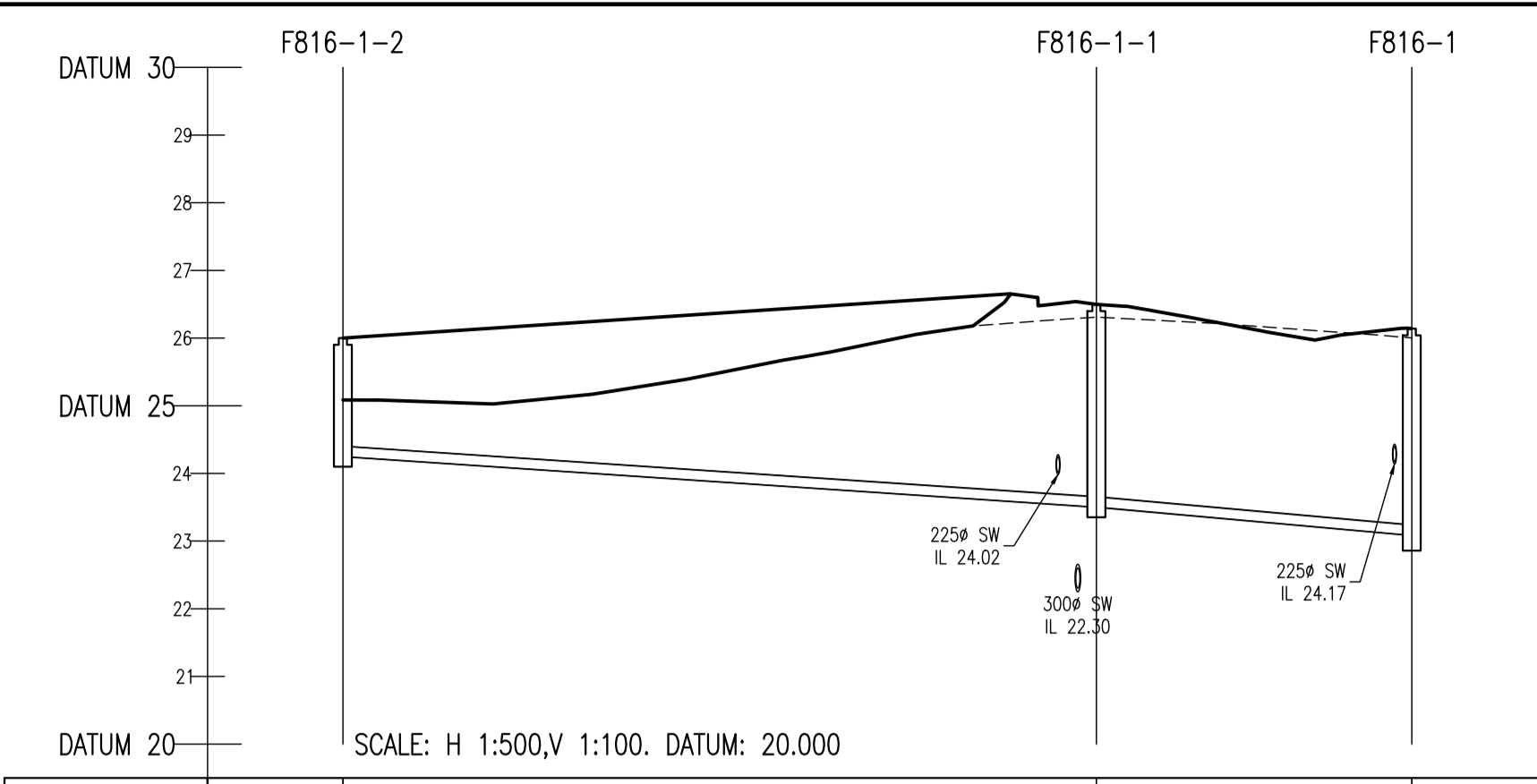
© COPYRIGHT OF THIS DRAWING IS RESERVED BY DBFL CONSULTING ENGINEERS. NO PART SHALL BE REPRODUCED OR TRANSMITTED WITHOUT THEIR WRITTEN PERMISSION.



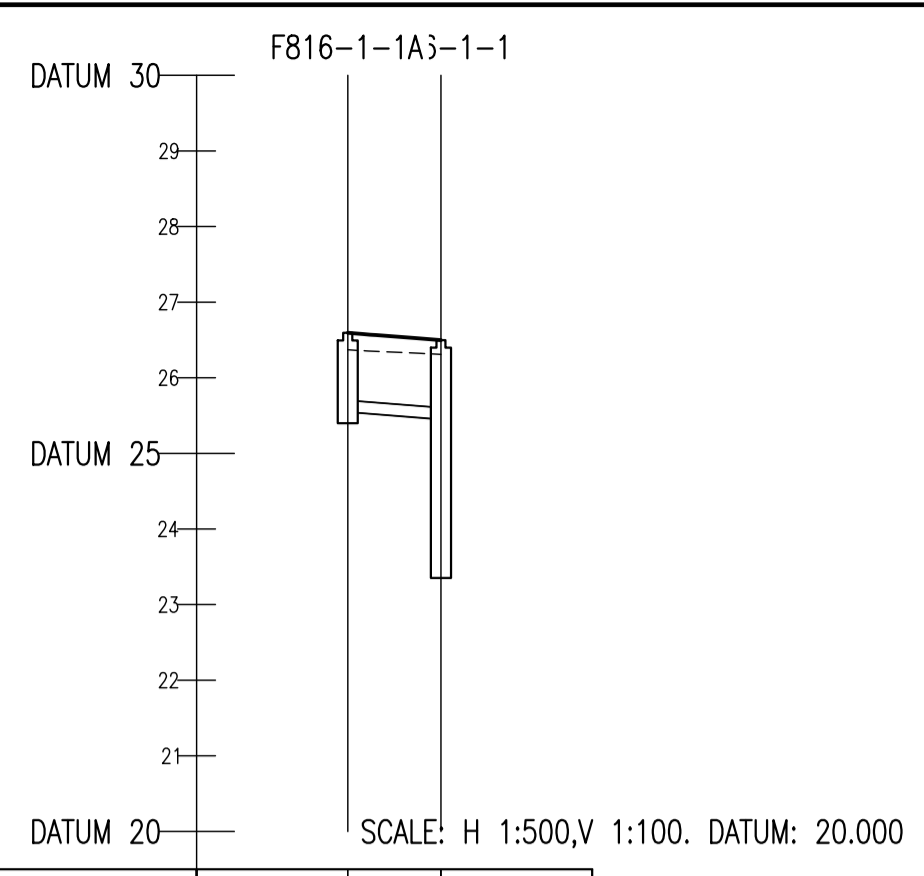
- NOTES:
- ALL DRAWINGS TO BE CHECKED BY CONTRACTOR ON SITE AND ENGINEER INFORMED OF DISCREPANCIES BEFORE WORK COMMENCES
  - ALL LEVELS ARE IN METRES AND ARE RELATED TO ORDNANCE DATUM
  - CONTRACTOR SHALL SATISFY HIMSELF AS TO THE ACCURACY OF PAVEMENT LEVELS ON SITE PRIOR TO COMMENCEMENT OF WORKS ON SITE
  - ALL WORKS TO BE CONSTRUCTED IN ACCORDANCE WITH THE NRA SPECIFICATION FOR ROAD WORKS UNLESS NOTED OTHERWISE
  - THIS DRAWING IS FOR PLANNING PURPOSES ONLY
  - MANHOLE COVER LEVELS ARE TO CONFORM WITH FINISHED ROAD AND PATH LEVELS
  - WHERE COVER TO PIPE IS LESS THAN 1200mm (ROAD/PATH/VERGE) OR 900mm (OPEN SPACE) SURROUND PIPE IN MINIMUM 150mm CONCRETE

KEY

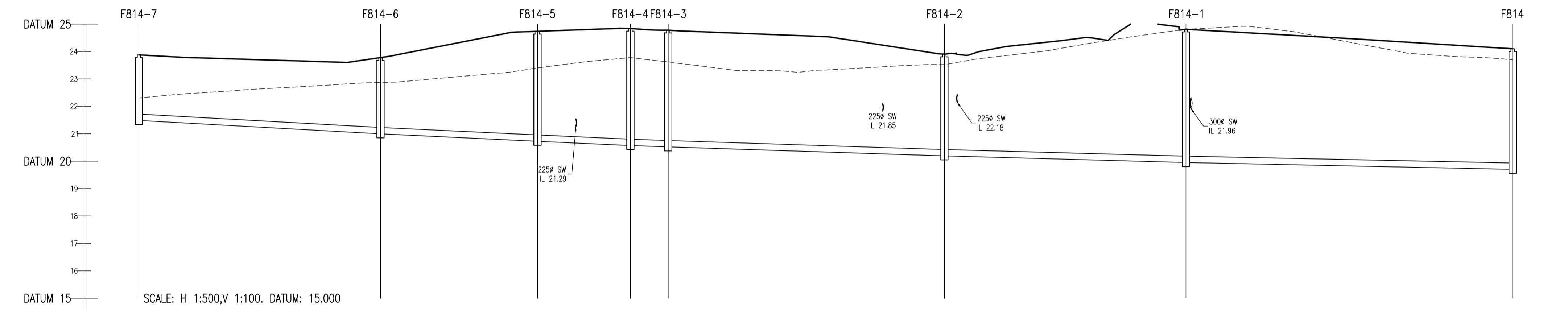
- - - - - EXISTING GROUND PROFILE
- PROPOSED GROUND PROFILE



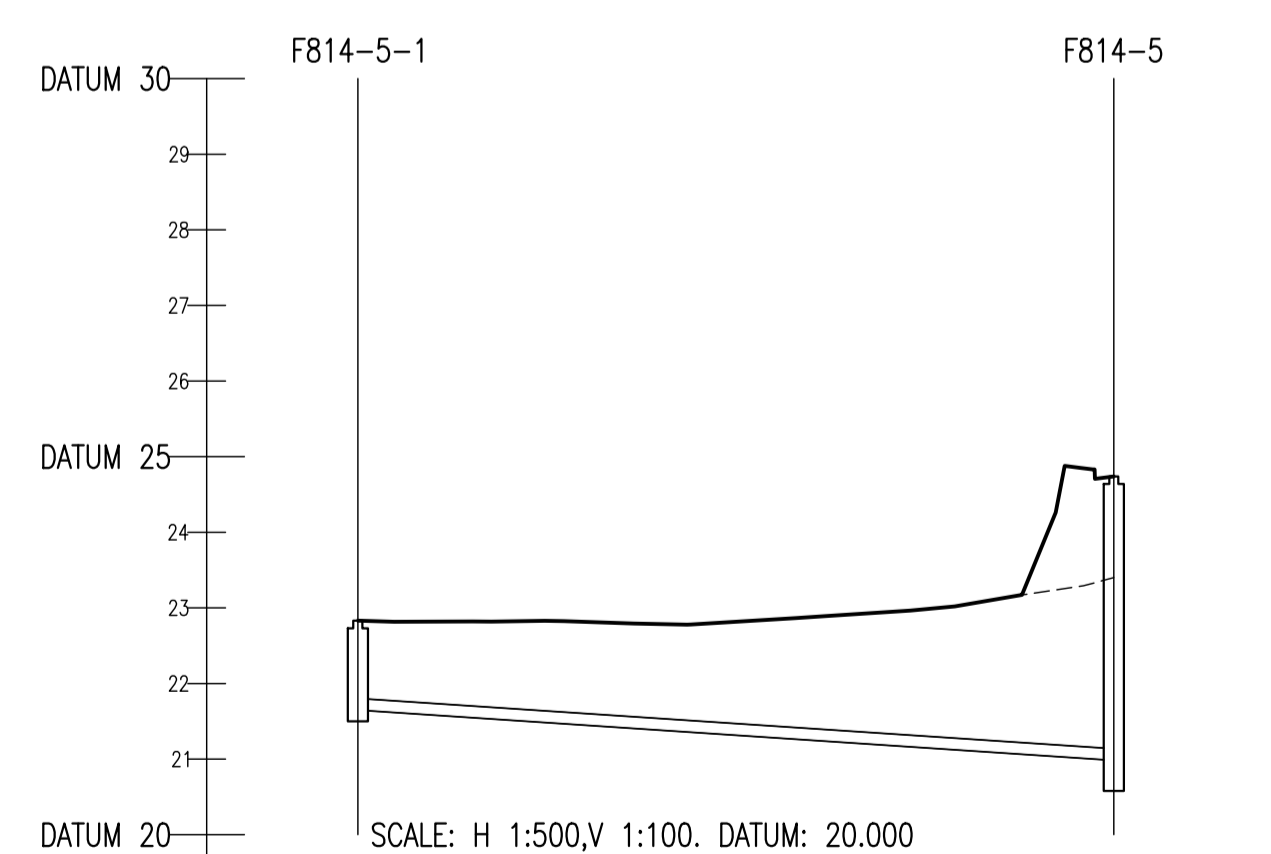
|              |        |        |        |
|--------------|--------|--------|--------|
| COVER LEVEL  | 26.000 | 26.488 | 26.141 |
| INVERT LEVEL | 24.220 | 23.503 | 23.085 |
| DEPTH (m)    | 1.780  | 2.985  | 3.131  |
| DISTANCE (m) |        | 55.67  | 23.30  |
| PIPE SLOPE   |        | 1:75   | 1:56   |
| PIPE SIZE    |        | 150mm  | 150mm  |



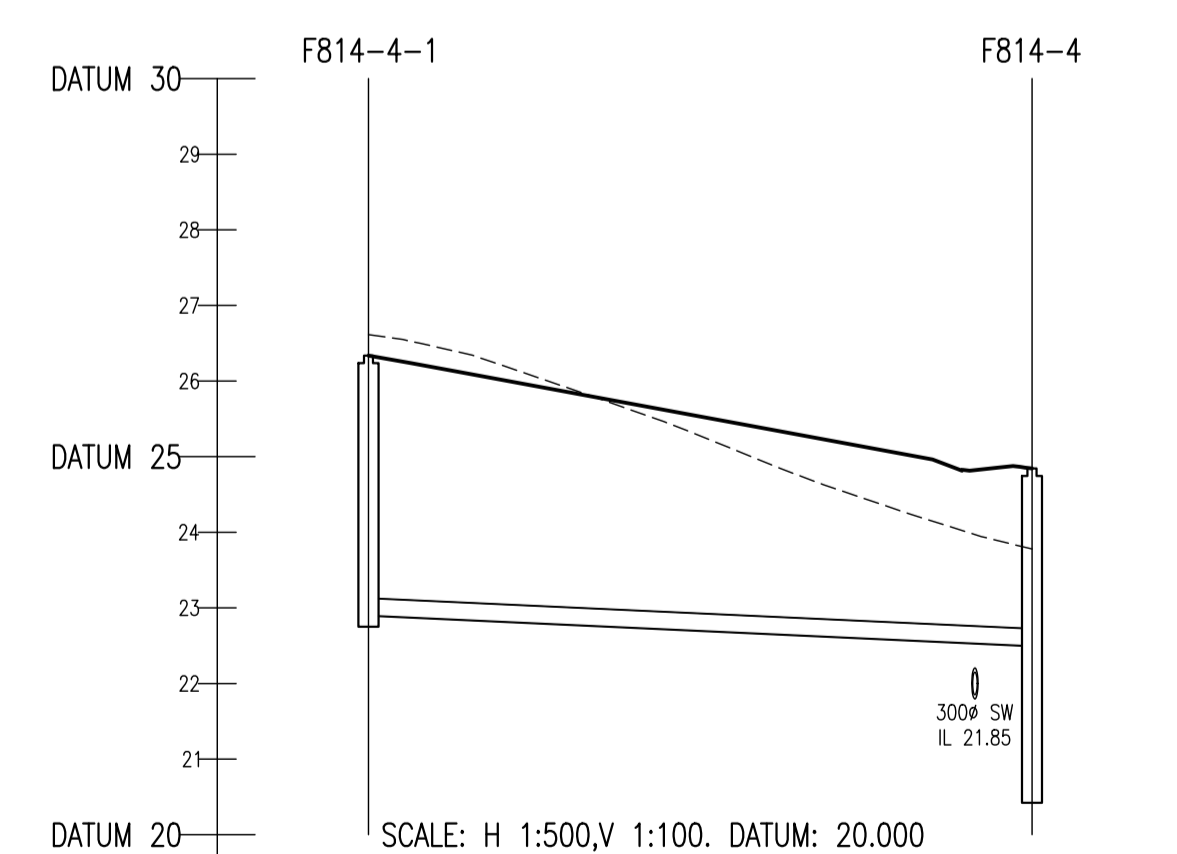
|              |        |        |
|--------------|--------|--------|
| COVER LEVEL  | 26.595 | 26.488 |
| INVERT LEVEL | 25.550 | 25.451 |
| DEPTH (m)    | 1.045  | 2.995  |
| DISTANCE (m) |        | 6.17   |
| PIPE SLOPE   |        | 1:63   |
| PIPE SIZE    |        | 150mm  |



|              |        |        |        |        |        |        |        |        |
|--------------|--------|--------|--------|--------|--------|--------|--------|--------|
| COVER LEVEL  | 23.218 | 23.778 | 24.738 | 24.843 | 24.778 | 23.984 | 24.813 | 24.699 |
| INVERT LEVEL | 21.489 | 21.000 | 20.728 | 20.573 | 20.524 | 20.196 | 19.954 | 19.705 |
| DEPTH (m)    | 2.289  | 2.778  | 4.010  | 4.270  | 4.254  | 3.708  | 4.859  | 4.994  |
| DISTANCE (m) |        | 44.07  | 28.63  | 16.95  | 6.90   | 50.37  | 44.05  | 4.894  |
| PIPE SLOPE   |        | 1:90   | 1:105  | 1:109  | 1:154  | 1:182  | 1:239  |        |
| PIPE SIZE    |        | 225mm  | 225mm  | 225mm  | 225mm  | 225mm  | 225mm  | 225mm  |



|              |        |        |
|--------------|--------|--------|
| COVER LEVEL  | 22.830 | 24.738 |
| INVERT LEVEL | 21.650 | 20.895 |
| DEPTH (m)    | 1.180  | 4.010  |
| DISTANCE (m) |        | 50.00  |
| PIPE SLOPE   |        | 1:75   |
| PIPE SIZE    |        | 150mm  |



|              |        |        |
|--------------|--------|--------|
| COVER LEVEL  | 26.336 | 24.843 |
| INVERT LEVEL | 22.800 | 21.496 |
| DEPTH (m)    | 3.436  | 4.270  |
| DISTANCE (m) |        | 43.88  |
| PIPE SLOPE   |        | 1:109  |
| PIPE SIZE    |        | 225mm  |

|     |          |                         |     |      |
|-----|----------|-------------------------|-----|------|
| C   | 31-07-20 | STAGE 3 NEW APPLICATION | DJG | DMW  |
| B   | 10-03-20 | STAGE 2 NEW APPLICATION | DJG | AOS  |
| A   | 10-10-19 | PLANNING SHD STAGE 3    | DJG | DCG  |
| REV | DATE     | DESCRIPTION             | BY  | CHKD |

PLANNING SHD STAGE 3

|          |          |          |     |
|----------|----------|----------|-----|
| DESIGNED | DMW      | PREPARED | DJG |
| DATE     | OCT 2019 | CHECKED  | DJR |

DBFL Consulting Engineers  
 Dublin Office: Ormrod House, Upper Ormrod Quay, Dublin 7, Ireland. PHONE +353 1 400 4000 FAX +353 1 400 4050  
 Waterford Office: Unit 2, The Chandlery, 1-2 O'Connell Street, Waterford, Ireland. PHONE +353 51 308 500 FAX +353 51 844 813  
 Email: info@dbfl.ie site: www.dbfl.ie

PROJECT  
**STRATEGIC HOUSING DEVELOPMENT AT COLPE WEST, DROGHEDA, CO. MEATH**

DRG. TITLE  
**LONGITUDINAL SECTIONS THROUGH FOUL SEWER SHEET 4**

CLIENT  
**SHANNON HOMES DROGHEDA LTD.**

|          |              |           |             |
|----------|--------------|-----------|-------------|
| SCALE    | AS SHOWN @A1 | FILE REF. | 170092-3081 |
| DRG. NO. | 170092-3094  |           | C           |